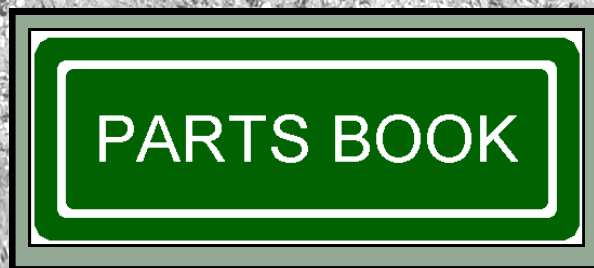




61-SERIES

4505

PHILLIPS ROTARY HARROW



PART NO. 61-PB-02
PRINTING DATE: MAR 2016

TABLE OF CONTENTS

MAIN FRAME ASSEMBLY

HITCH ASSEMBLY	3
HOSE HANGER & HITCH JACK	3
MAIN FRAME ASSEMBLY	4
FRONT WING MOUNT & BRACES	5
MAIN WHEEL ASSEMBLY	6
MAIN WHEEL HUB & SPINDLE ASSEMBLY	7

TAIL FRAME ASSEMBLY

TAIL FRAME	10
TAIL TOP BRIDGE	11
TAIL CASTER WHEEL ASSEMBLY (-2006).....	12-13
HEAVY DUTY TAIL CASTER WHEEL ASSEMBLY (2007 to Present).....	14-15
TAIL LOCK ASSEMBLY.....	16
TAIL TOOL CATCHER.....	17

RIGHT MAIN WING ASSEMBLY

RIGHT MAIN WING FRAME	20
RIGHT FLIP-OVER WING	21
RIGHT TOOL TENSIONER EXTENSION	22
WING TOOL CATCHER	23
WING CYLINDER	24
FLIP-OVER WING CYLINDER	25
WING CASTER WHEEL ASSEMBLY (-2006)	26-27
HEAVY DUTY WING CASTER WHEEL ASSEMBLY (2007 to Present)	28-29

LEFT MAIN WING ASSEMBLY

LEFT MAIN WING FRAME	32
LEFT FLIP-OVER WING.....	33
LEFT TOOL TENSION EXTENSION	34

LEFT & RIGHT TOOLING ASSEMBLY

LEFT & RIGHT SIDE TOOLING ASSEMBLY	36-37
TOOLING HOUSING ASSEMBLY	38

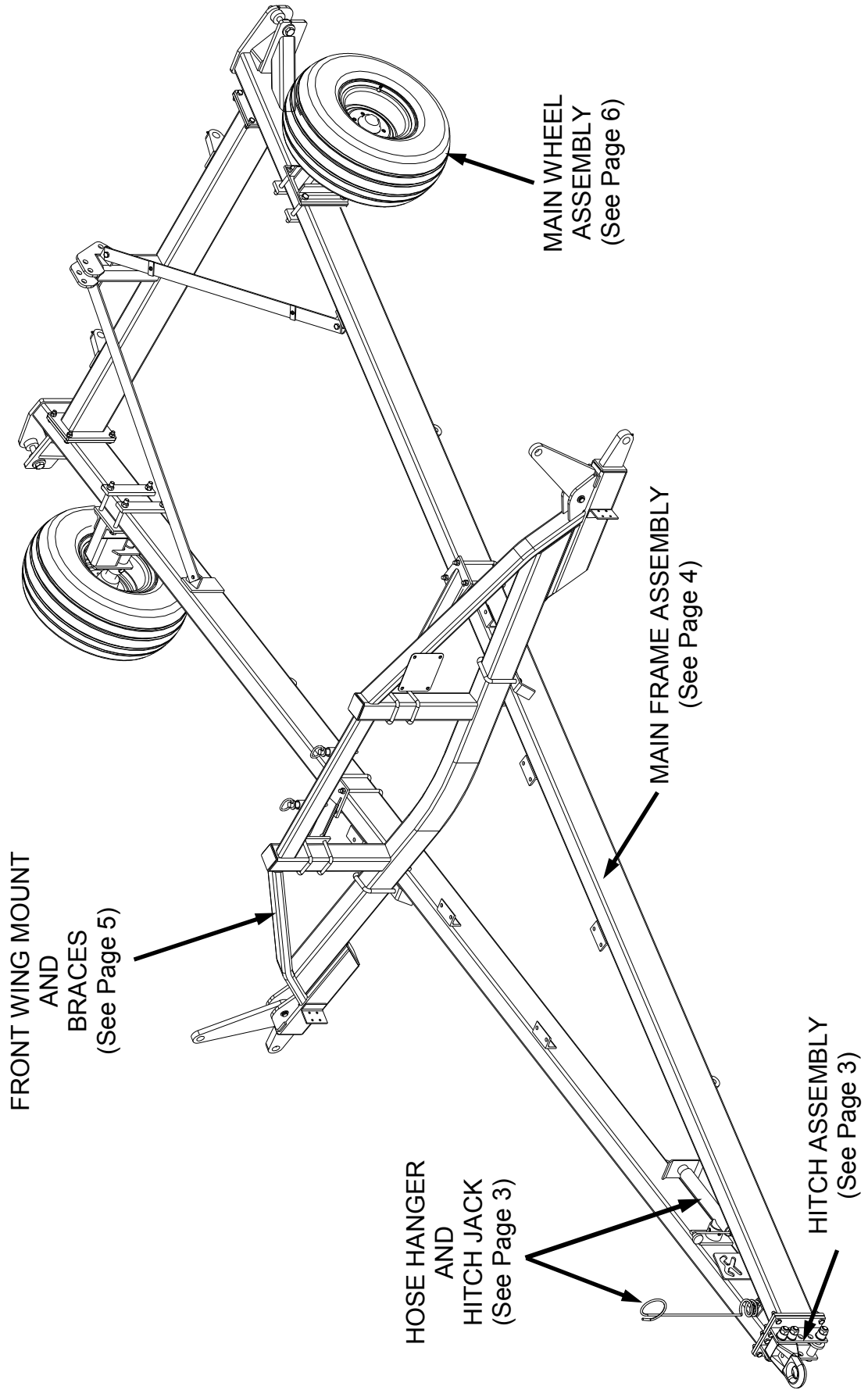
HYDRAULIC COMPONENTS

HYDRAULIC SCHEMATIC	40-41
TAIL HYDRAULIC CYLINDER (3 1/2" X 12").....	42
WING HYDRAULIC CYLINDER (4" X 30").....	43
FLIP-OVER HYDRAULIC CYLINDER (3" X 12")	44

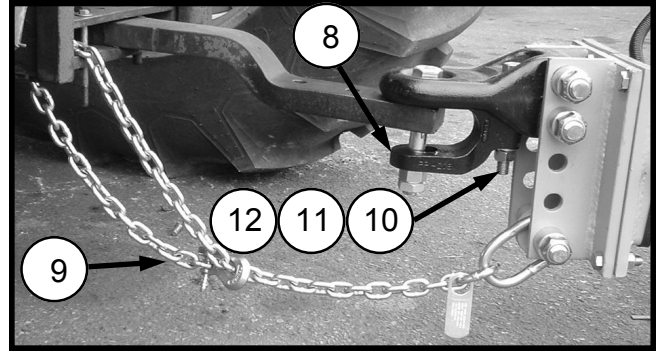
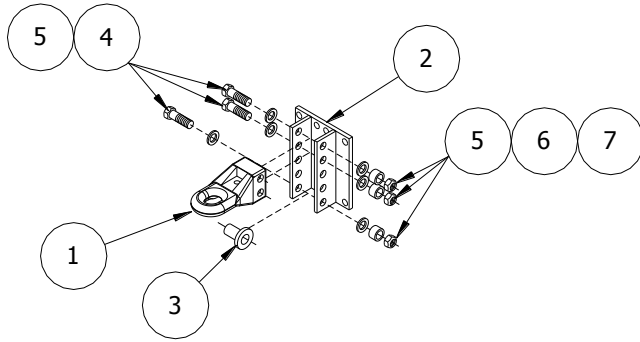
MISCELLANEOUSE COMPONENTS

DECAL SCHEMATIC	46-47
HOSE CLAMP SCHEMATIC.....	48-49
LIGHTING SCHEMATIC	50-51

MAIN FRAME ASSEMBLY



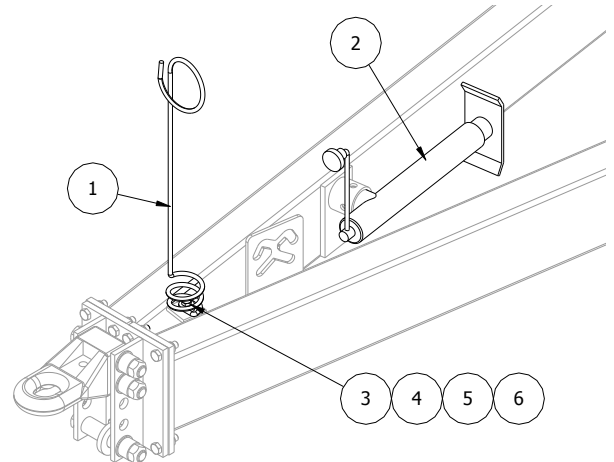
HITCH ASSEMBLY



ITEM	PMF PART NO	KMC PART NO	DESCRIPTION	QTY
1	31-10951-03	61-057-003	IMPLEMENT HITCH CASTING	1
2	05-51062-01	61-080-020	HITCH ATTACH PLATE 2000	1
3	05-51063-01	61-080-063	SAFETY CHAIN BAR	1
4	31-50199-09	48-200600	1" X 7 1/2" G8 HEX HD BOLT	3
5	31-50399-03	62-020050	1" SAE FLATWASHER, PLT	6
6	05-51013-01	61-024-041	LEVER GUIDE, PLT	3
7	31-50299-05	72-030100	1" UNITORQUE NUT G8 PLT	3
*8	31-10951-02	53-050-014	HITCH, CLEVIS CAST	1
9	31-10959-01	61-020-034	AG SAFETY TOW CHAIN	1
*10	31-50175-14	48-200057	HITCH, BOLT	1
*11	31-50275-02	68-010380	HITCH, NUT	1
*12	31-50375-02	66-010350	LOCKWASHER, 3/4 PLT	1

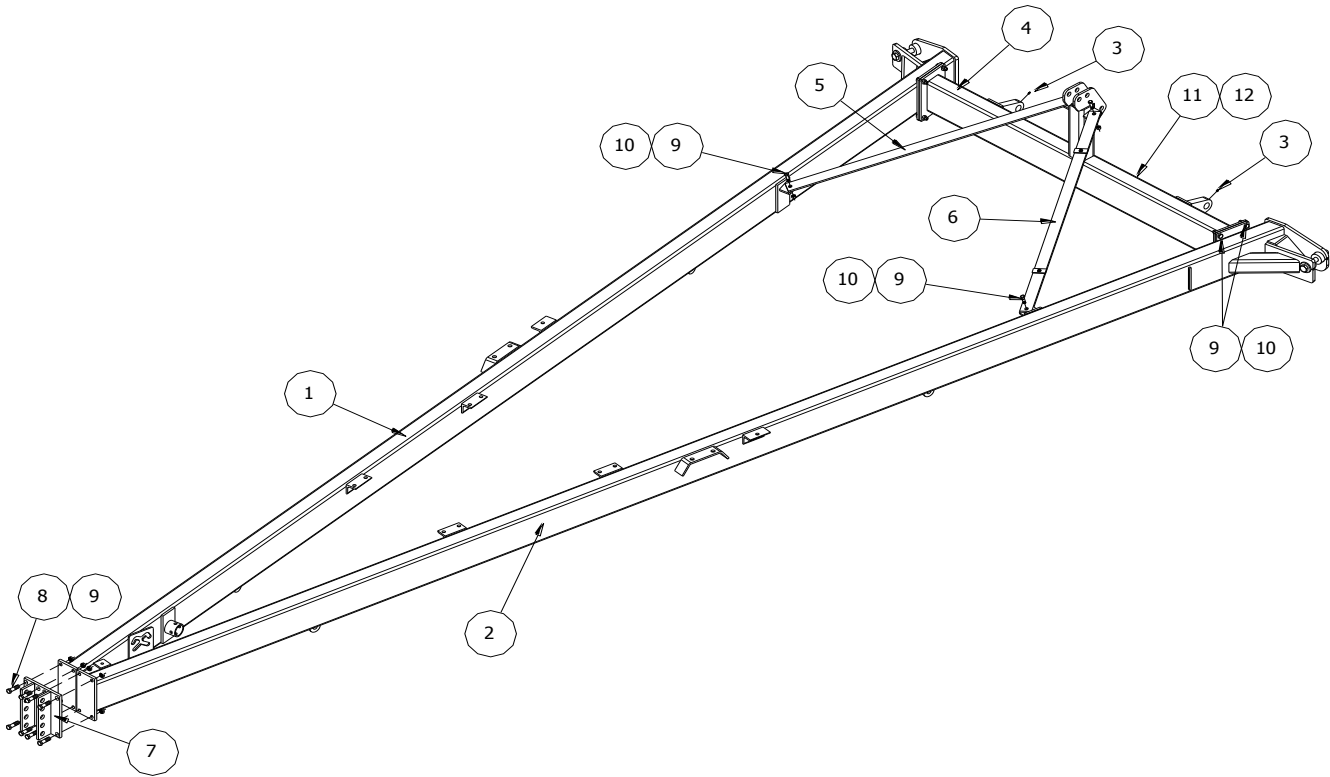
*These parts make up 61-082-003
(Two Clevis Conversion).

**HOSE HANGER
AND
HITCH JACK**



ITEM	PMF PART NO	KMC PART NO	DESCRIPTION	QTY
1	31-10307-01	61-050-023	PIG TAIL HOSE HOLDER	1
2	31-10950-04	61-050-033	HITCH JACK, 7000 LB W/O TUBE	1
3	31-50150-03	48-090595	CAPSCREW, 1/2 X 1 1/2 G5 PLT	1
4	31-50350-02	62-010200	FLATWASHER, 1/2 STD PLT	1
5	31-50350-01	66-010250	LOCKWASHER, 1/2 PLT	1
6	-	68-010250	HEX NUT, 1/2 PLT	1

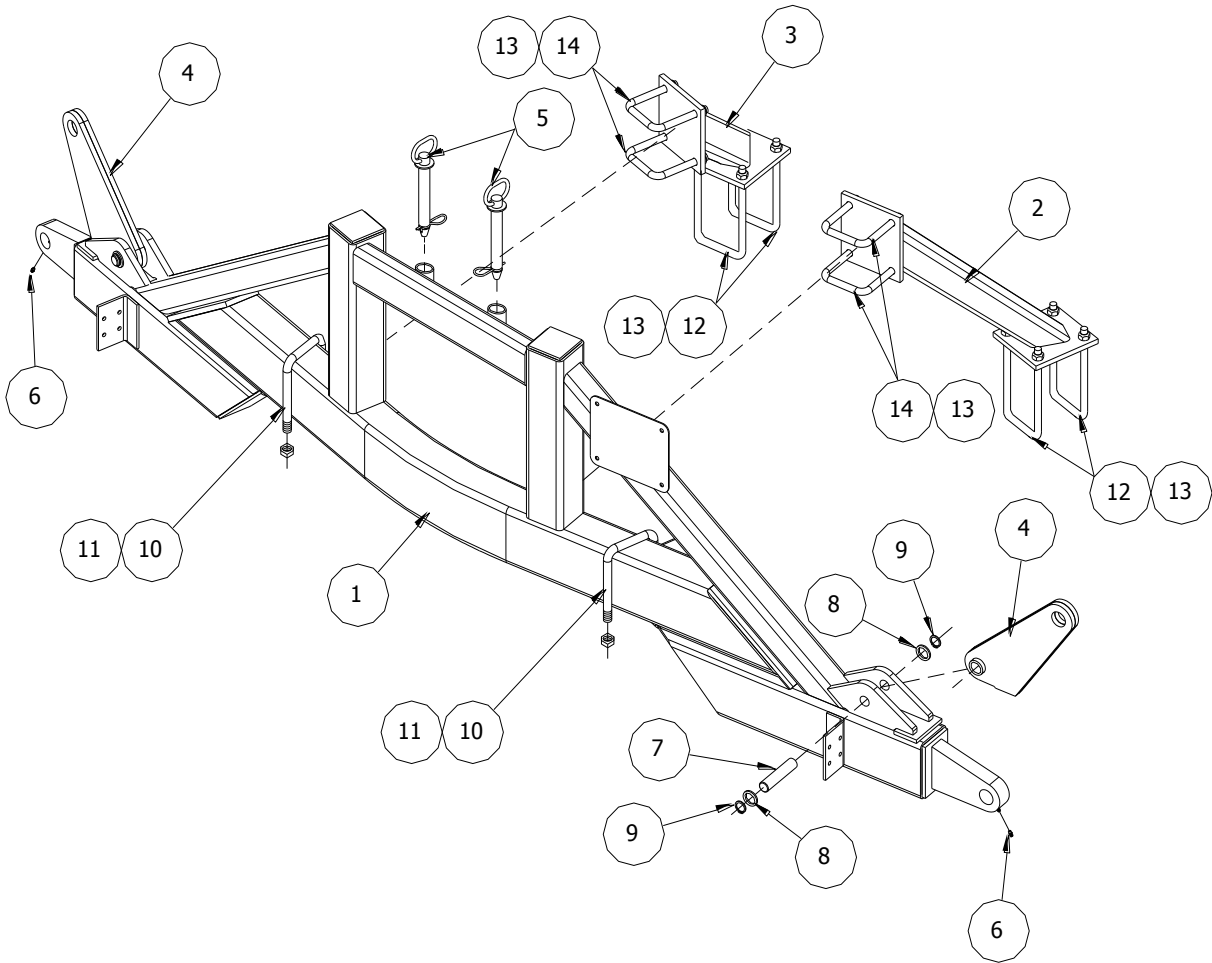
45' ROTARY HARROW
MAIN FRAME ASSEMBLY



ITEM	PMF PART NO	KMC PART NO	DESCRIPTION	QTY
1	05-51116-00	61-080-076	MAIN BEAM - R.H.	1
2	05-51117-00	61-080-077	MAIN BEAM - L.H.	1
3	31-50904-02	02-050-005	FITTING, 1/4-28 STRT	2
4	05-51099-03	61-080-073	REAR BEAM	1
5	05-51010-03	61-080-038	LH REAR BEAM BRACE	1
6	05-51010-04	61-080-040	RH REAR BEAM BRACE	1
7	05-51062-01	61-080-020	HITCH ATTACH PLATE 2000	1
8	31-50163-13	48-200033	5/8 X 2 1/4 UNC BOLT	8
9	31-50263-05	72-020050	LOCKNUT, 5/8 STOVER G"C" PLT	28
10	31-50163-12	48-200029	5/8 X 2 UNC BOLT	20
11	05-51038-01	61-080-049	1 1/2 WRENCH	1
12	31-10601-01	-	PIN, 1/8 X 2 9/16 HITCH	1

45' ROTARY HARROW

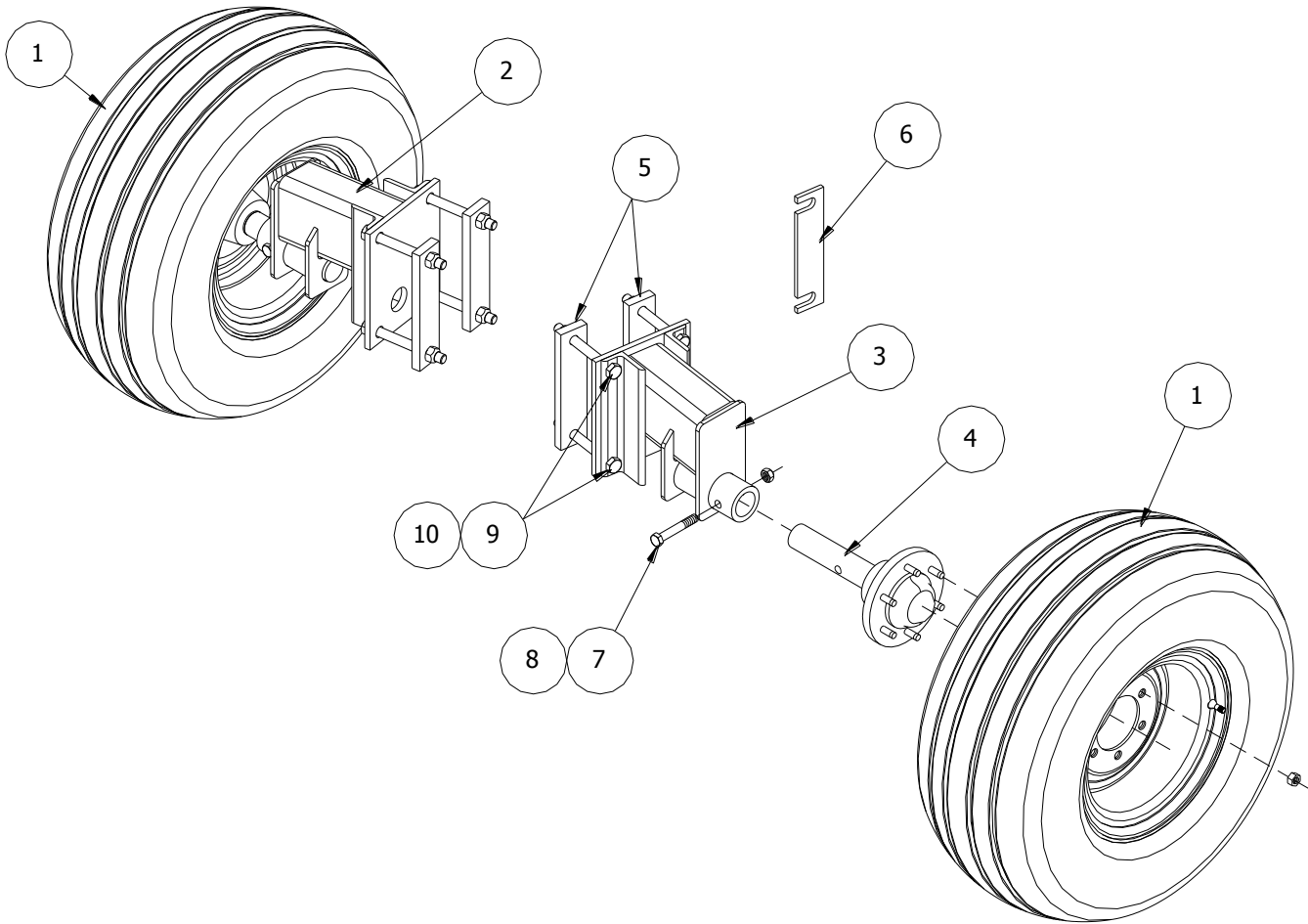
FRONT WING MOUNT AND BRACES



ITEM	PMF PART NO	KMC PART NO	DESCRIPTION	QTY
1	05-51118-00	61-080-078	FRONT WING MOUNT	1
2	05-51068-04	61-080-066	RH BRACE, FRONT WING MOUNT	1
3	05-51068-03	61-080-065	LH BRACE, FRONT WING MOUNT	1
4	05-51022-02	61-080-041	LOCK LEVER	2
5	31-10608-01	61-050-024	7/8 X 6 1/2 USEABLE HITCH PIN	2
6	31-50904-02	02-050-005	GREASE NIPPLE, 1/4 UNF	2
7	05-51055-01	61-026-021	GROOVED PIN, 1 X 3 1/2 PLT	2
8	31-50908-09	61-050-038	SHEET MACH. BUSH 1 1/2 OD X 1 ID X 10 GA	4
9	31-50907-03	61-050-037	1" HVY EXT. SNAP RING .078 THK	4
10	31-10946-17	61-050-027	U-BOLT, 3/4-10 X 7.25 X 18.4140EPL	2
11	31-50275-07	-	3/4 UNITORQUE NUT G8 PLT	4
12	31-10946-22	61-050-030	U-BOLT, 5/8 X 4 11/16W X 9 1/2L	4
13	31-50263-05	72-020050	5/8 UNC UNITORQUE NUT G8 PLT	16
14	31-10946-05	20-050-057	U-BOLT, 5/8 UNC X 4.68W X 5.25L	4

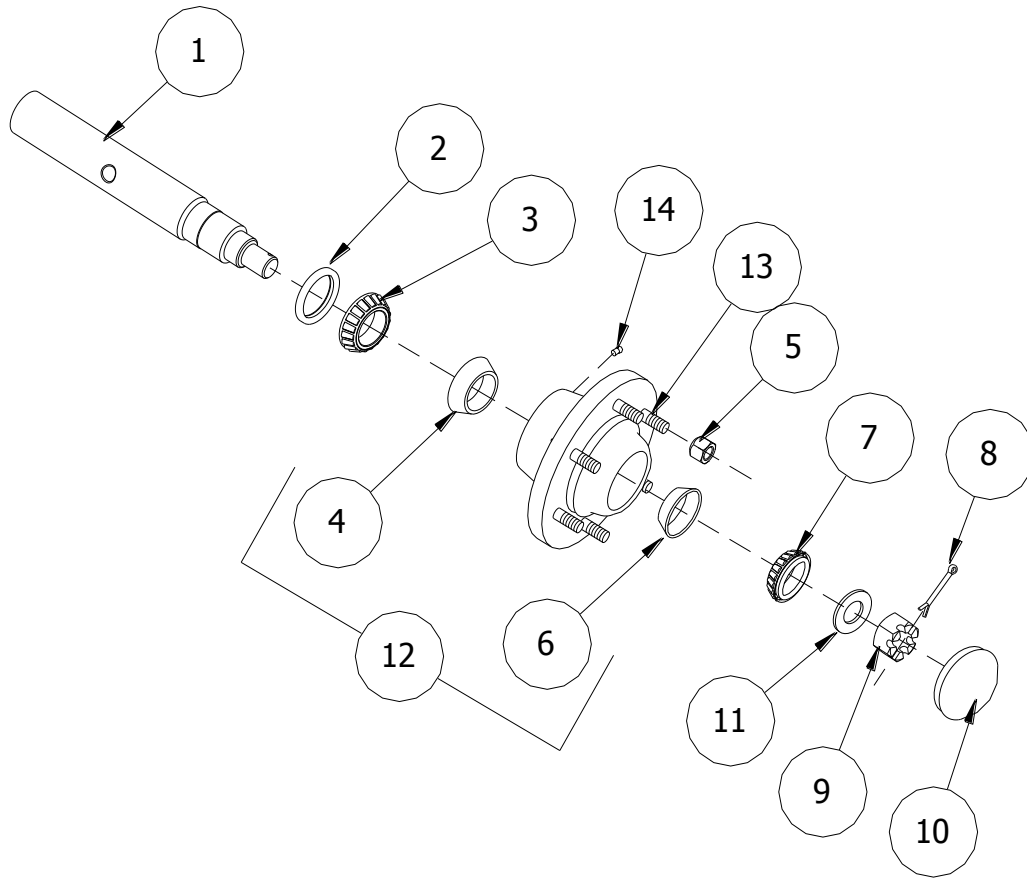
45' ROTARY HARROW

MAIN WHEEL ASSEMBLY



ITEM	PMF PART NO	KMC PART NO	DESCRIPTION	QTY
1	-	61-081-011	TIRE & WHEEL, 12.5L-15 (LOAD F)	2
2	05-51080-03	61-080-069	MAIN WHEEL MOUNT, R.H.	1
3	05-51080-04	61-080-070	MAIN WHEEL MOUNT, L.H.	1
4	30-90544-01	61-058-007	HUB AND SPINDLE ASSEMBLY	2
5	05-51071-01	61-023-061	MAIN WHEEL, BACK PLATE, 3/4 BOLTS	4
6	30-90376-17	61-027-091	SHIM WHEEL MOUNT	A/R
7	-	48-200032	CAPSCREW, 5/8 X 4 G8 PLT	2
8	-	72-020050	LOCKNUT, 5/8 STOVER G"C" PLT	2
9	31-50175-11	48-200063	3/4 X 7 UNC BOLT	8
10	31-50275-07	-	3/4 UNITORQUE NUT G8 PLT	8

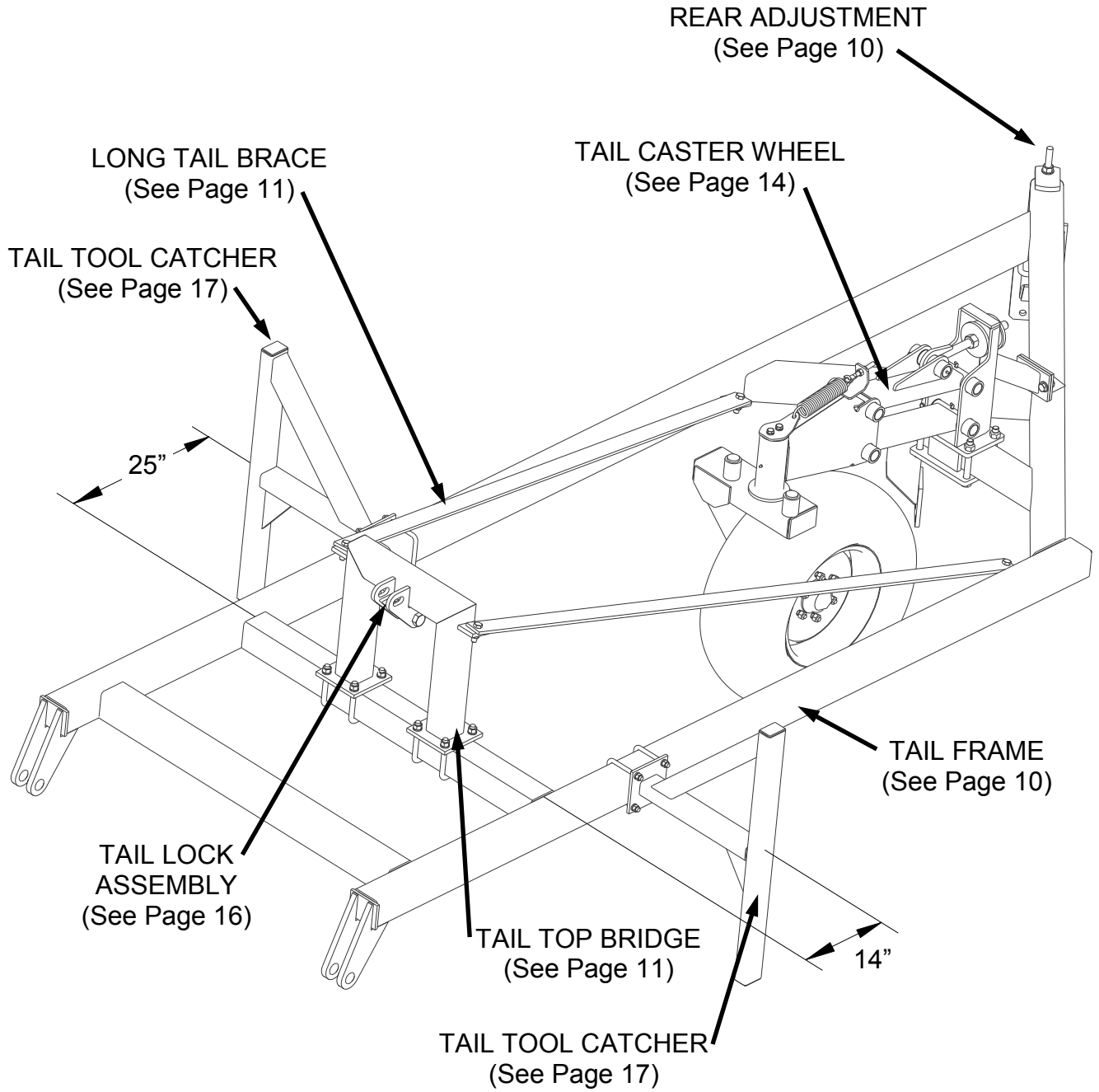
MAIN FRAME WHEEL HUB AND SPINDLE
(30-90544-01)



ITEM	PMF PART NO	KMC PART NO	DESCRIPTION	QTY
1	30-90540-12	-	SPINDLE, S614-A111	1
2	31-50909-06	-	SE-16 GREASE SEAL	1
3	31-10210-07	-	BRG, CONE LM 603049	1
4	31-10210-05	-	BRG, CUP LM 603011	1
5	31-10901-04	-	WB-40 WHEEL NUT 9/16 - 18 UNF	6
6	31-10210-06	-	BRG CUP, LM 48510	1
7	31-10210-08	-	BRG CONE, LM 48548	1
8	31-50912-01	-	3/16 X 2 COTTER PIN, PLT	1
9	31-10909-03	-	WB-33 SPINDLE NUT, 1-14 UNS	1
10	31-10902-04	-	H614 DUST CAP (DC-15)	1
11	31-10909-01	-	WA-17 SPINDLE WASHER	1
12	31-10900-14	-	HUB, C/W BRG CUPS 6-BOLTS	1
13	31-10900-15	-	BOLT, 9/16 UNF X 2.25 WHEEL STUD	6
14	31-50904-12	-	GREASE NIPPLE, 1/4 UNF	1

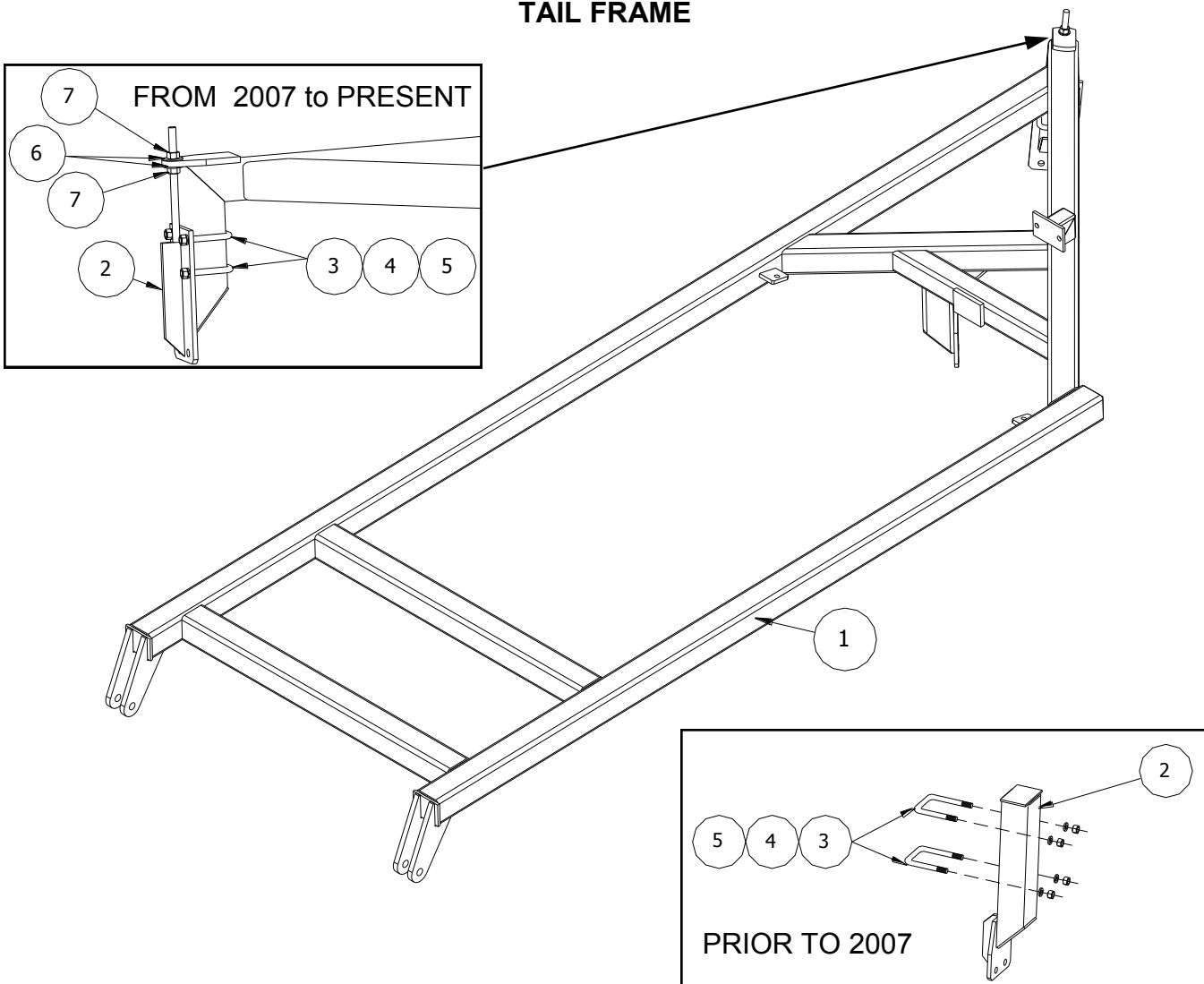
BLANK
PAGE

TAIL FRAME ASSEMBLY



45' ROTARY HARROW

TAIL FRAME



PRIOR TO 2007

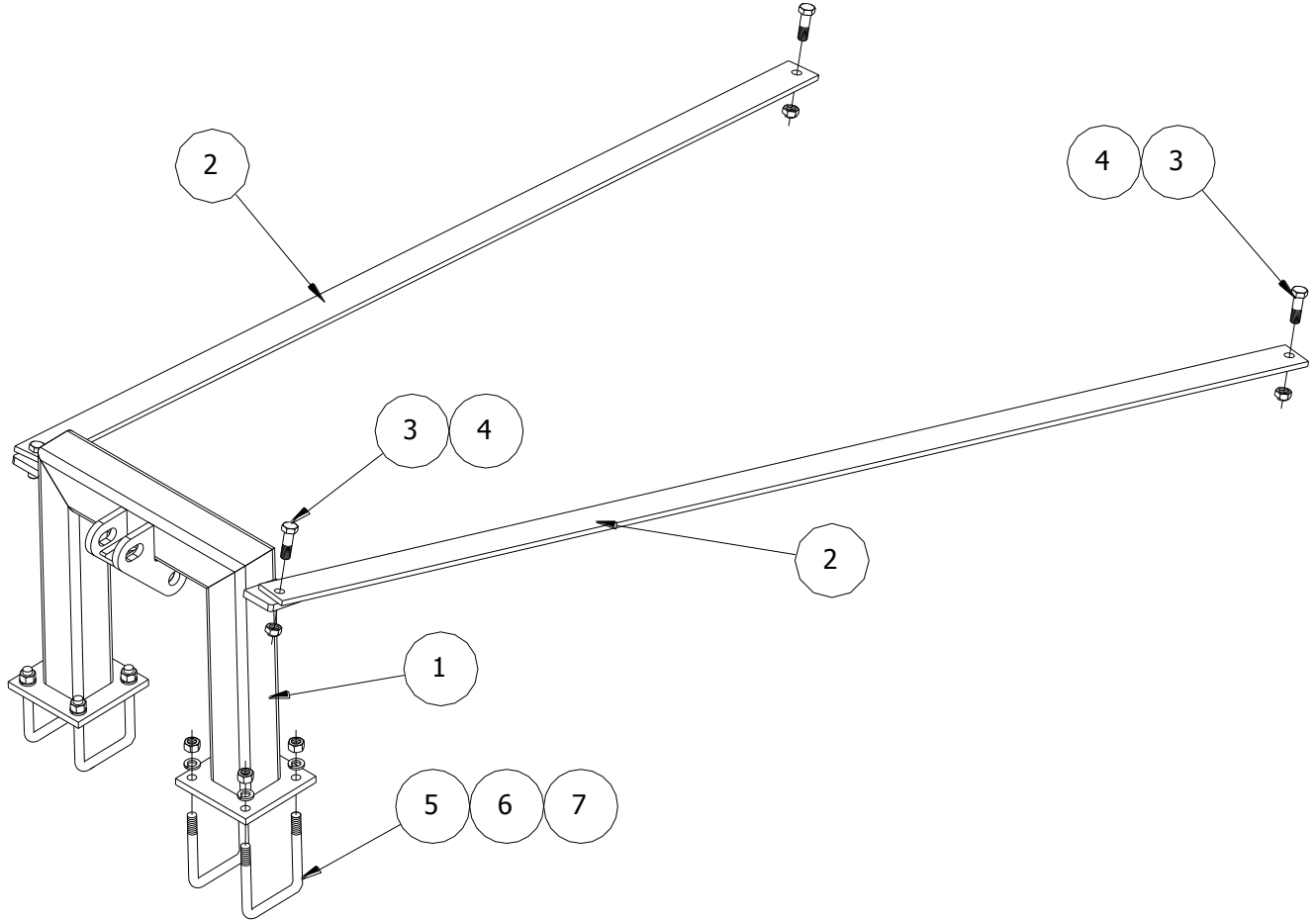
ITEM	PMF PART NO	KMC PART NO	DESCRIPTION	QTY
1	05-51006-02	61-080-036	TAIL SECTION	1
2	05-51037-05	-	RR TOOL ADJUST ASSY	1
3	31-10946-05	20-050-037	U-BOLT, 5/8 UNC X 4.68W X 5.25L	2
4	31-50363-01	66-010300	LOCKWASHER, 5/8 PLT	4
5	31-50263-01	68-010300	HEX NUT, 5/8 PLT	4

FROM 2007 to PRESENT

ITEM	PMF PART NO	KMC PART NO	DESCRIPTION	QTY
1	05-51006-02	61-080-036	TAIL WELDMENT, 45FT	1
2	05-51008-01	61-080-037	REAR ADJUSTMENT	1
3	31-50375-03	62-020045	FLATWASHER, 3/4 SAE PLT	2
4	31-50275-02	68-010380	3/4 UNC HEX NUT, G8 PLT	2
5	31-10946-05	20-050-057	U-BOLT, 5/8 X 5 1/2 X 4 11/16	2
6	31-50363-01	66-010300	LOCKWASHER, 5/8 PLT	4
7	31-50263-01	68-010300	HEX NUT, 5/8 PLT	4

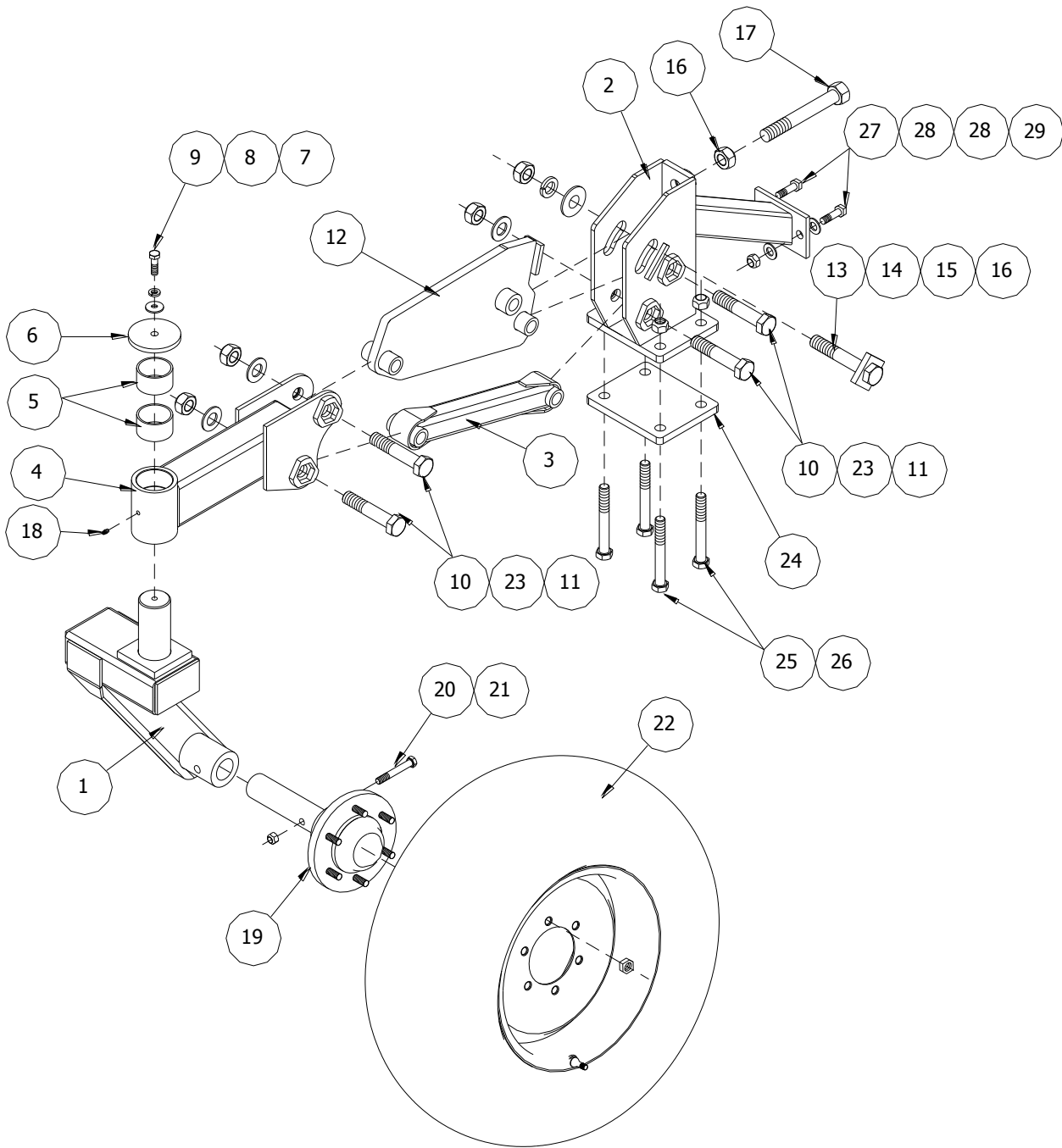
45' ROTARY HARROW

TAIL TOP BRIDGE



ITEM	PMF PART NO	KMC PART NO	DESCRIPTION	QTY
1	05-51039-02	61-080-050	TAIL TOP BRIDGE	1
2	05-51009-02	61-023-039	TAIL BRACE	2
3	31-50163-12	48-200029	5/8 X 2 UNC BOLT	4
4	31-50263-05	72-020050	5/8 UNC UNITORQUE NUT G8 PLT	4
5	31-10946-05	20-050-057	U-BOLT , 5/8 UNC X 4.68W X 5.25L	4
6	31-50363-01	66-010300	LOCKWASHER, 5/8 PLT	8
7	31-50263-01	68-010300	HEX NUT, 5/8 PLT	8

**TAIL CASTER WHEEL ASSEMBLY
(PRIOR TO 2007)**



ITEM	PMF PART NO	KMC PART NO	DESCRIPTION	QTY
1	05-51079-01	-	SWIVEL, CASTER WHEEL	1
2	05-51059-01	-	TAIL CASTER MOUNT BRKT	1
3	05-51095-01	61-080-025	ARM, LOWER CASTER	1
4	05-51057-01	-	CASTER BUSHING ARM	1
5	05-01873-01	61-050-013	CASTER BUSHING	2
6	05-01142-01	61-027-035	SPRING CAP, CASTER	1

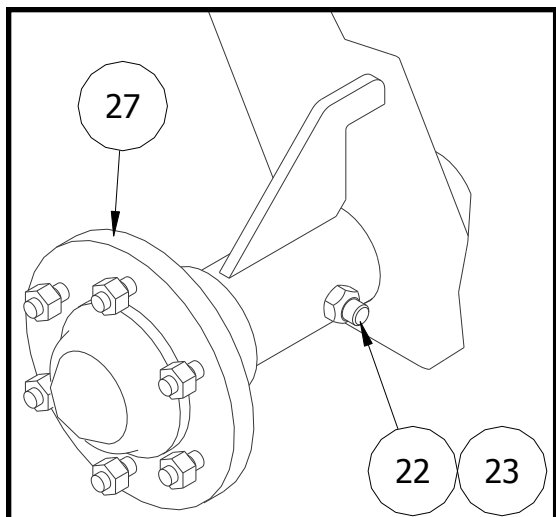
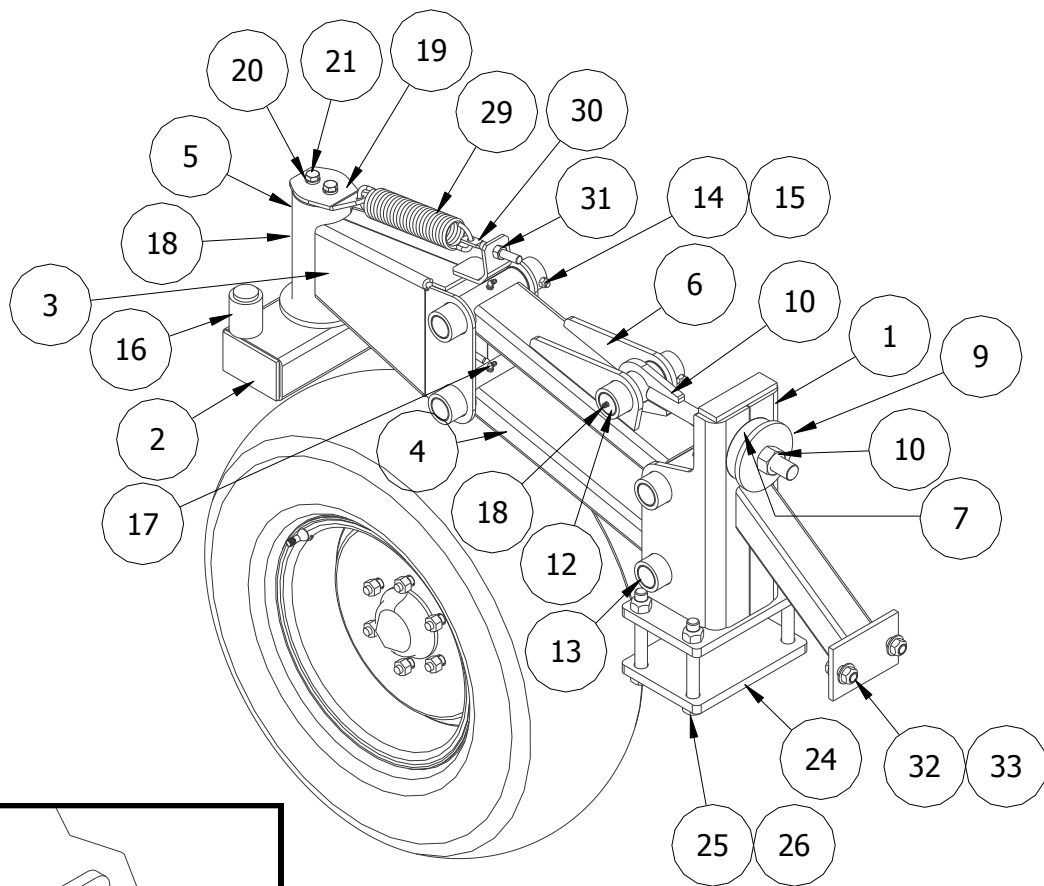
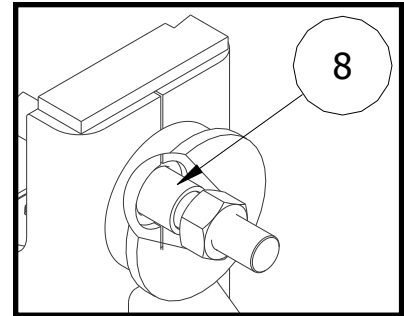
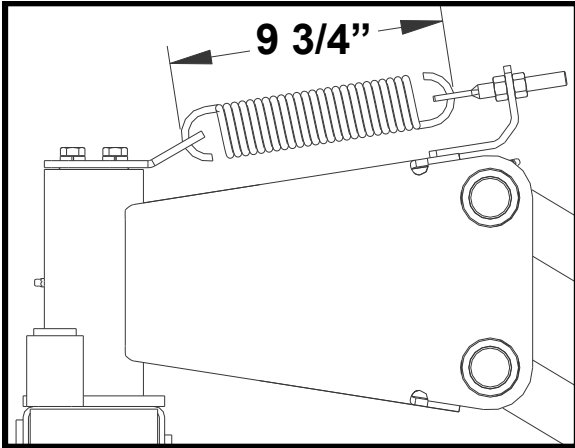
45' ROTARY HARROW

ITEM	PMF PART NO	KMC PART NO	DESCRIPTION	QTY
7	-	62-010250	FLATWASHER, 5/8 STD PLT	1
8	-	66-010250	LOCKWASHER, 1/2 REG PLT	1
9	-	48-090595	CAPSCREW, 1/2 X 1 1/2 NC G5 PLT	1
10	-	48-200350	CAPSCREW, 1 X 5 G8 PLT	4
11	31-50299-05	-	LOCKNUT, 1" NC STOVER G"C" PLT	4
12	05-51100-01	-	CASTER, UPPER ARM	1
13	05-51044-01	61-080-028	LOCK BOLT, CASTER WHEEL	1
14	31-50399-01	62-010370	FLATWASHER, 1" STD PLT	1
15	31-50399-02	66-010450	LOCKWASHER, 1" PLT	1
16	31-50299-02	68-010460	HEX NUT, 1" PLT	2
17	05-51061-01	61-080-029	HEIGHT ADJ BOLT, 2000 CASTER	1
18	31-50904-02	02-050-005	FITTING, 1/4-28 STRT. GREASE	1
*19	30-90544-01	61-058-007	HUB AND SPINDLE ASSY 6-BOLT	1
20	-	48-200032	CAPSCREW, 5/8 X 4 UNC G8 PLT	1
21	-	72-020050	LOCKNUT, 5/8 NC STOVER G"C" PLT	3
22	05-51081-01	61-081-036	SMOOTH TIRE & RIM	1
23	31-50399-03	62-020050	FLATWASHER, 1 SAE PLT	4
24	30-90376-09	61-023-023	BOTTOM PLATE, CASTER BRACKET	1
25	31-50175-09	-	CAPSCREW, 3/4 X 6 NC G8 PLT	4
26	-	72-020128	LOCKNUT, 3/4 STOVER G"C" PLT	4
27	31-50163-14	48-200042	5/8 X 1 1/2 CAPSCREW	2
28	31-50363-02	62-020040	5/8 SAE FLATWASHER, PLT	4

* For breakdown on hub and spindle see page 7.

COLD INFLATION PRESSURES FOR 30' HARROWS				
TIRE SIZE	TRANSPORT	FIELD USE	FIELD USE WITH GRANULAR APPLICATOR	TRANSPORT WITH GRANULAR APPLICATOR
12.5L X 15 (F-PLY) (Main Wheels)	40 PSI MIN.	25 PSI MIN.	30 PSI MIN.	55 PSI MIN.
7.5 x 14 (Caster Wheels)	N/A	20 PSI MIN. 22 PSI MIN.	20 PSI MIN. 22 PSI MIN.	N/A

HEAVY DUTY TAIL CASTER WHEEL ASSEMBLY (61-081-010)
(2007 TO PRESENT)

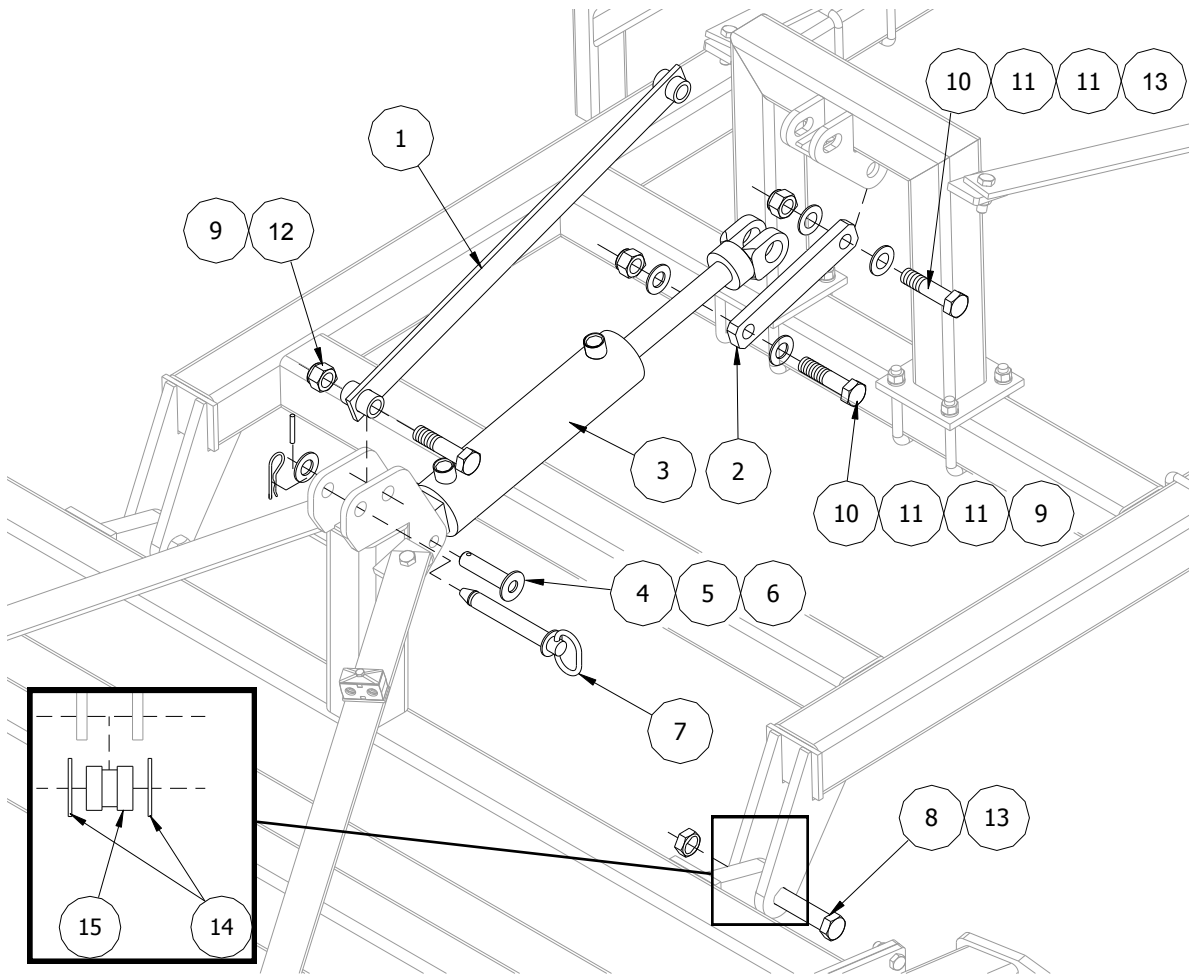


45' ROTARY HARROW

ITEM	PMF PART NO	KMC PART NO	DESCRIPTION	QTY
1	-	61-080-013	CASTER MOUNT BRACKET TAIL	1
2	-	61-080-009	CASTER SWIVEL, H.D.	1
3	-	61-080-007	CASTER BUSHING ARM, H.D.	1
4	-	61-080-010	CASTER, LOWER LINK H.D.	1
5	-	61-050-003	CASTER BUSHING, H.D.	2
6	-	61-080-011	CASTER, UPPER LINK, H.D.	1
7	-	61-026-012	CASTER, CUSHION BLOCK, H.D.	2
8	-	61-024-016	SPACER, CUSHION BLOCK, H.D.	1
9	-	61-027-020	WASHER, CUSHION BLOCK, H.D.	2
10	-	61-080-012	HEIGHT ADJUSTMENT, H.D.	1
11	-	68-010460	HEX NUT, 1" G8 PLT	2
12	-	61-026-011	SHORT PIVOT PIN, H.D.	1
13	-	61-026-010	LONG PIVOT PIN, H.D.	4
14	-	48-090220	CAPSCREW, 3/8 X 2 1/2 G5 PLT	5
15	-	72-010050	LOCKNUT, 3/8 STOVER GB PLT	5
16	-	61-059-001	CASTER BUMPER, H.D.	2
17	-	02-050-017	FITTING, 1/4-28 45 DEG.	4
18	-	02-050-005	FITTING, 1/4-28 STRT GREASE	2
19	-	61-027-021	CASTER CAP, H.D.	1
20	-	66-010250	LOCKWASHER, 1/2 REG PLT	2
21	-	48-090592	CAPSCREW, 1/2 X 1 1/4 G5 PLT	2
22	-	48-091060	CAPSCREW, 5/8 X 4 G5 PLT	1
23	-	72-020050	LOCKNUT, 5/8 STOVER GC PLT	3
24	-	61-027-011	BASE PLATE, H.D. CASTER	1
25	31-50175-09	-	CAPSCREW, 3/4 X 6 G8 PLT	4
26	-	72-020128	LOCKNUT, 3/4 STOVER, GC PLT	4
27	30-90544-01	61-058-007	HUB AND SPINDLE 6-BOLT	1
28	05-51081-01	61-081-036	SMOOTH TIRE & RIM 15" X 6-BOLT	1
29	-	61-050-004	SPRING, TENSION CASTER	1
30	-	61-050-005	ANCHOR, SPRING, CASTER	1
31	-	68-010260	HEX NUT, 1/2 G8 PLT	2
32	-	62-020040	FLATWASHER, 5/8 SAE PLT	4
33	-	48-200042	CAPSCREW, 5/8 X 1 1/2 G8 PLT	2

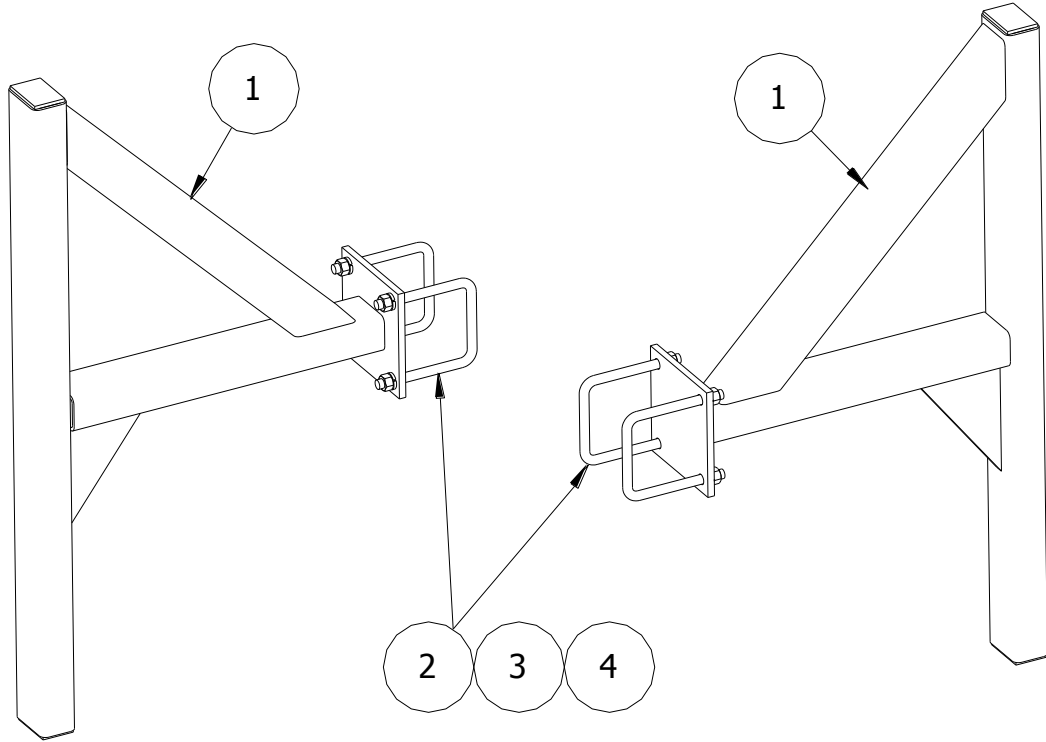
45' ROTARY HARROW

TAIL LOCK ASSEMBLY



ITEM	PMF PART NO	KMC PART NO	DESCRIPTION	QTY
1	05-51007-01	-	TAIL LOCKING BAR, 2007	1
	-	61-080-017	TAIL LOCKING BAR, 2008	1
2	05-51012-01	61-023-060	TAIL LEVER	1
3	31-10520-01	61-061-023	3.5 X 12 HYD CYLINDER	1
4	05-51049-01	61-080-060	PLATED PIN, 1 X 4 1/8	1
5	31-50399-03	62-020050	1 " SAE FLATWASHER, PLT	1
6	-	76-010200	COTTER PIN, 1/4 X 2	1
7	31-10608-01	61-050-024	7/8 X 6 1/2 USABLE HITCH PIN	1
8	31-50199-03	48-200325	CAPSCREW, 1 X 4 1/2 G8 PLT	2
9	31-50299-03	72-010140	LOCKNUT, 1 NYLON INSERT PLT	2
10	31-50199-01	48-200300	CAPSCREW, 1 X 4	2
11	31-50399-04	61-050-036	FLATWASHER, 1 UHMW	4
12	31-50199-03	48-200350	CAPSCREW, 1 X 5 PLT	1
13	31-50299-05	72-030100	LOCKNUT, 1" TOPLOCK G8 PLT	3
14	05-01648-01	-	WASHER, THRUST UHMW	4
15	05-51011-01	-	BUSHING LONG	2

TAIL TOOL CATCHER

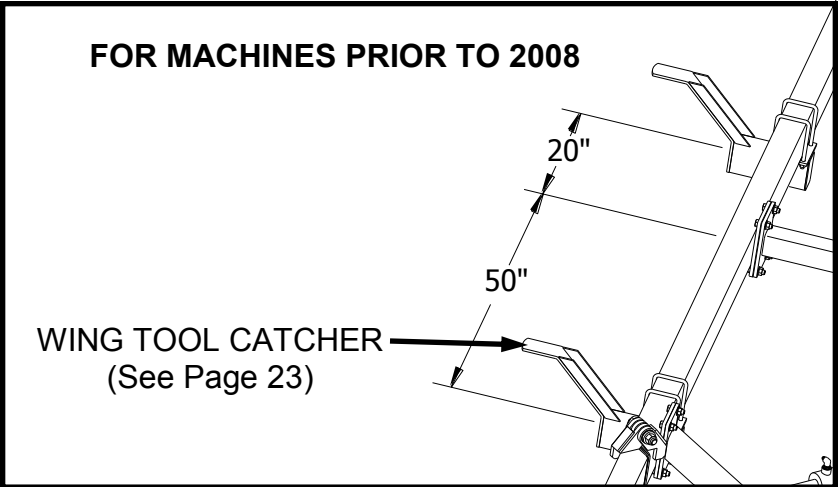
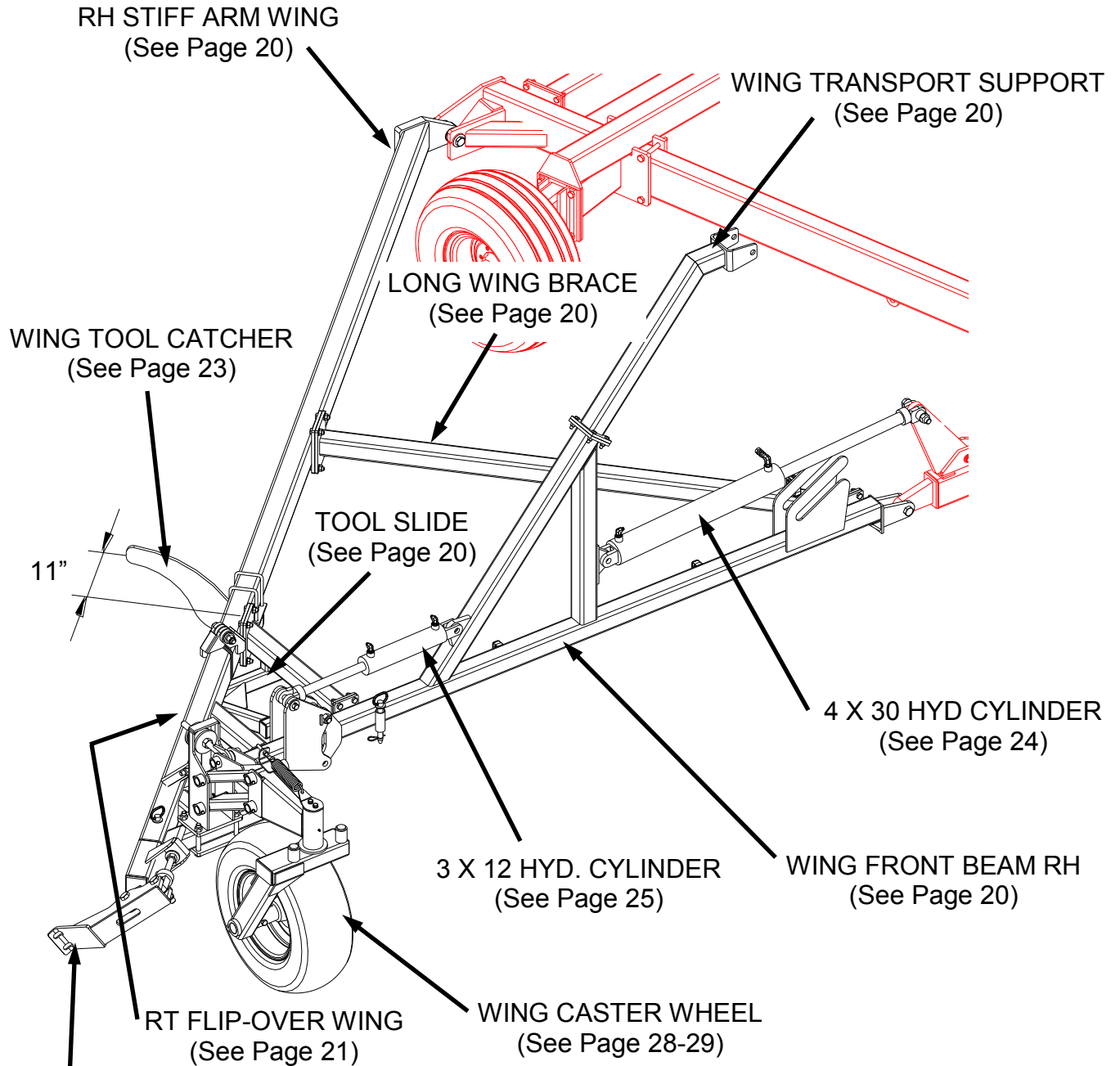


REFER TO PAGE 9 FOR LOCATION ON FRAME

ITEM	PMF PART NO	KMC PART NO	DESCRIPTION	QTY
1	05-51077-01	61-080-068	TAIL TOOL CATCHER	2
2	31-10946-18	61-050-028	U-BOLT, 1/2 X 4 9/16W X 5 1/4L	4
3	31-50350-01	66-010250	1/2 LOCKWASHER, PLT	8
4	31-50250-01	68-010250	1/2 UNC HEX NUT PLT	8

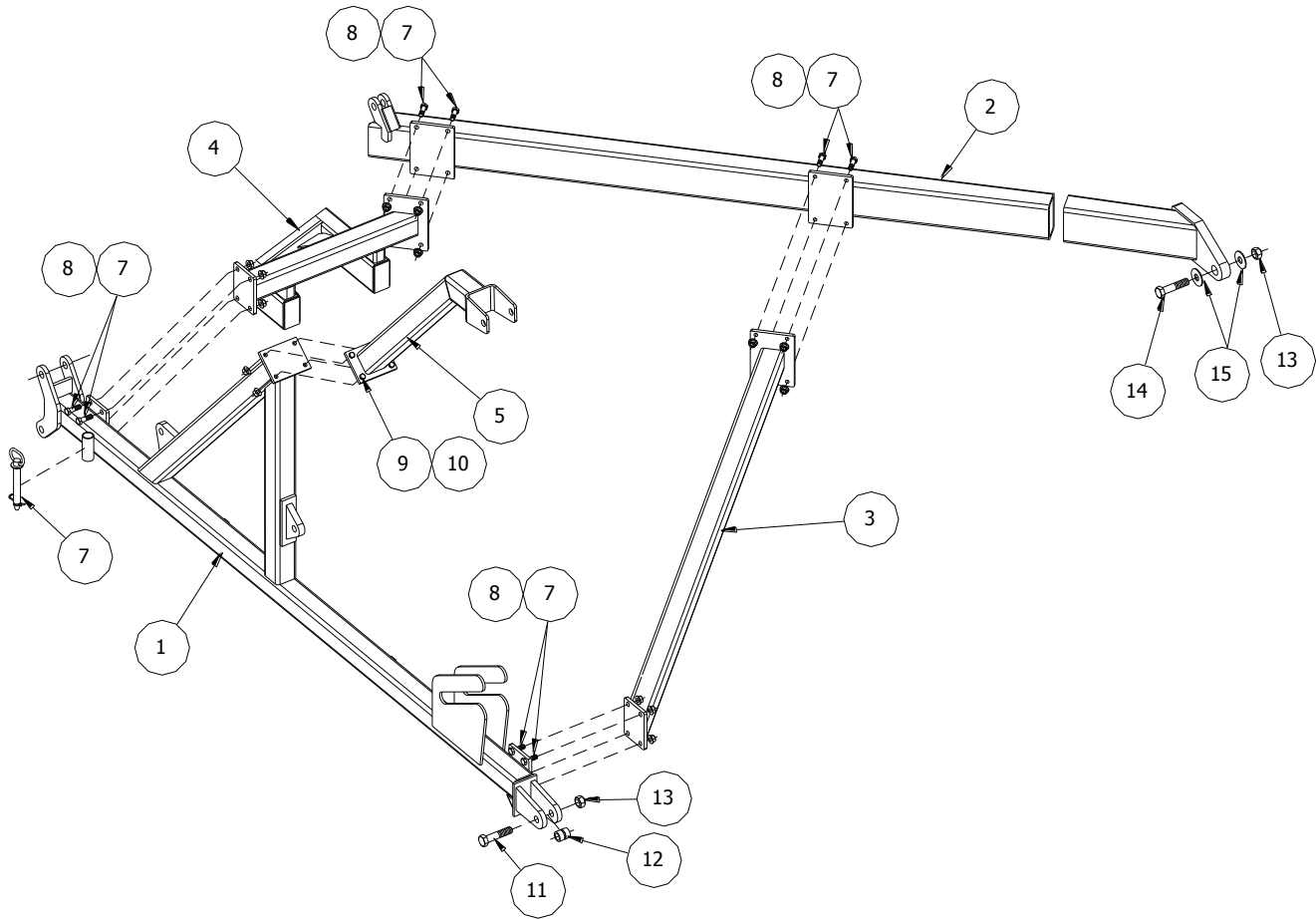
BLANK
PAGE

RIGHT WING ASSEMBLY



45' ROTARY HARROW

RIGHT WING MAIN FRAME

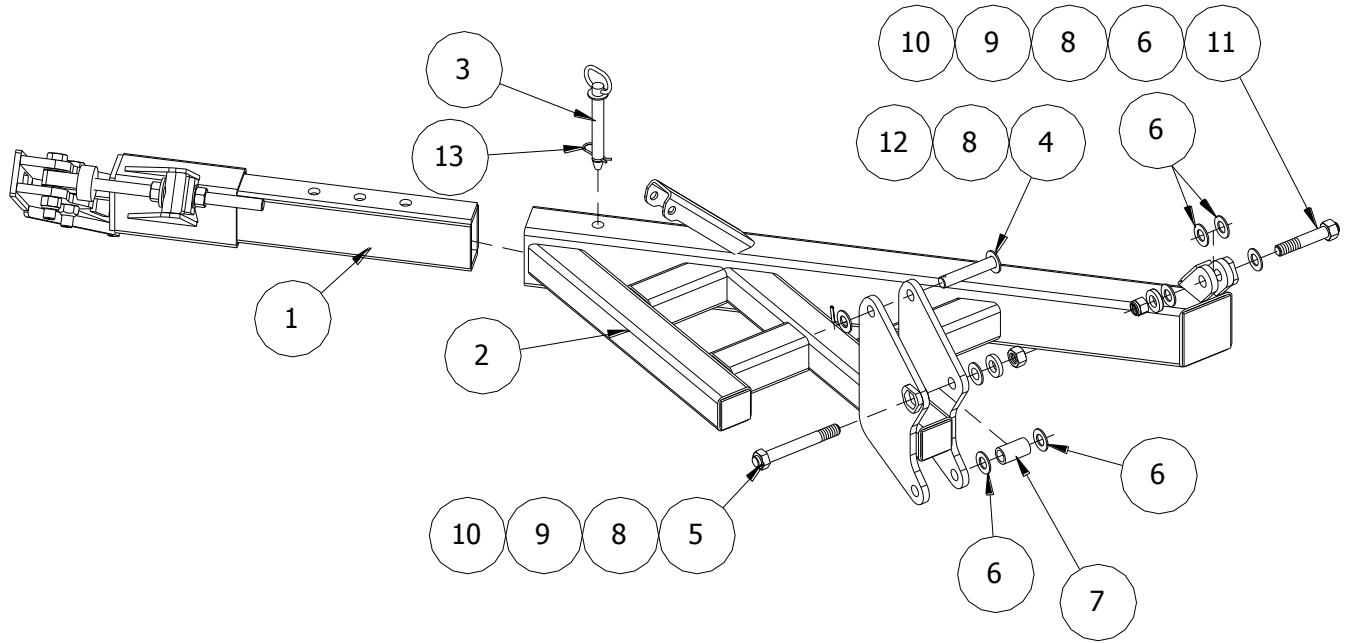


ITEM	PMF PART NO	KMC PART NO	DESCRIPTION	QTY
1	05-51028-03	61-080-045	WING FRONT BEAM, RH	1
2	05-51025-03	61-080-042	ASSY, RH STIFF ARM WING	1
3	05-51026-02	61-080-044	WING, LONG BRACE	1
4	05-51037-03	-	TOOL SLIDE, RH (2007)	(1)
	-	61-080-035	TOOL SLIDE, RH (2008)	1
5	05-51034-01	-	WING TRANSPORT SUPPORT	1
6	31-10608-01	61-050-024	PIN, 7/8" X 6.5" USBL HITCH	1
7	31-50163-12	-	5/8 X 2 UNC BOLT	16
8	-	68-010320	NUT, 5/8 TECHLOCK FLANGE GRD "G"	16
9	31-50150-17	48-090603	CAPSCREW, 1/2 X 2 NC G8 PLT	4
10	31-50250-08	72-020127	LOCKNUT, 1/2 NC STOVER G"C" PLT	4
11	31-50199-03	48-200325	CAPSCREW, 1 X 4 1/2 G8 PLT	1
12	05-51011-01	61-026-024	BUSHING LONG	1
13	31-50299-05	72-030100	1" UNITORQUE NUT G8 PLT	2

45' ROTARY HARROW

ITEM	PMF PART NO	KMC PART NO	DESCRIPTION	QTY
14	31-50199-09	-	CAPSCREW, 1 X 7 1/2 G8 PLT	1
15	05-01648-01	61-050-012	WASHER, THRUST-UHMW	1

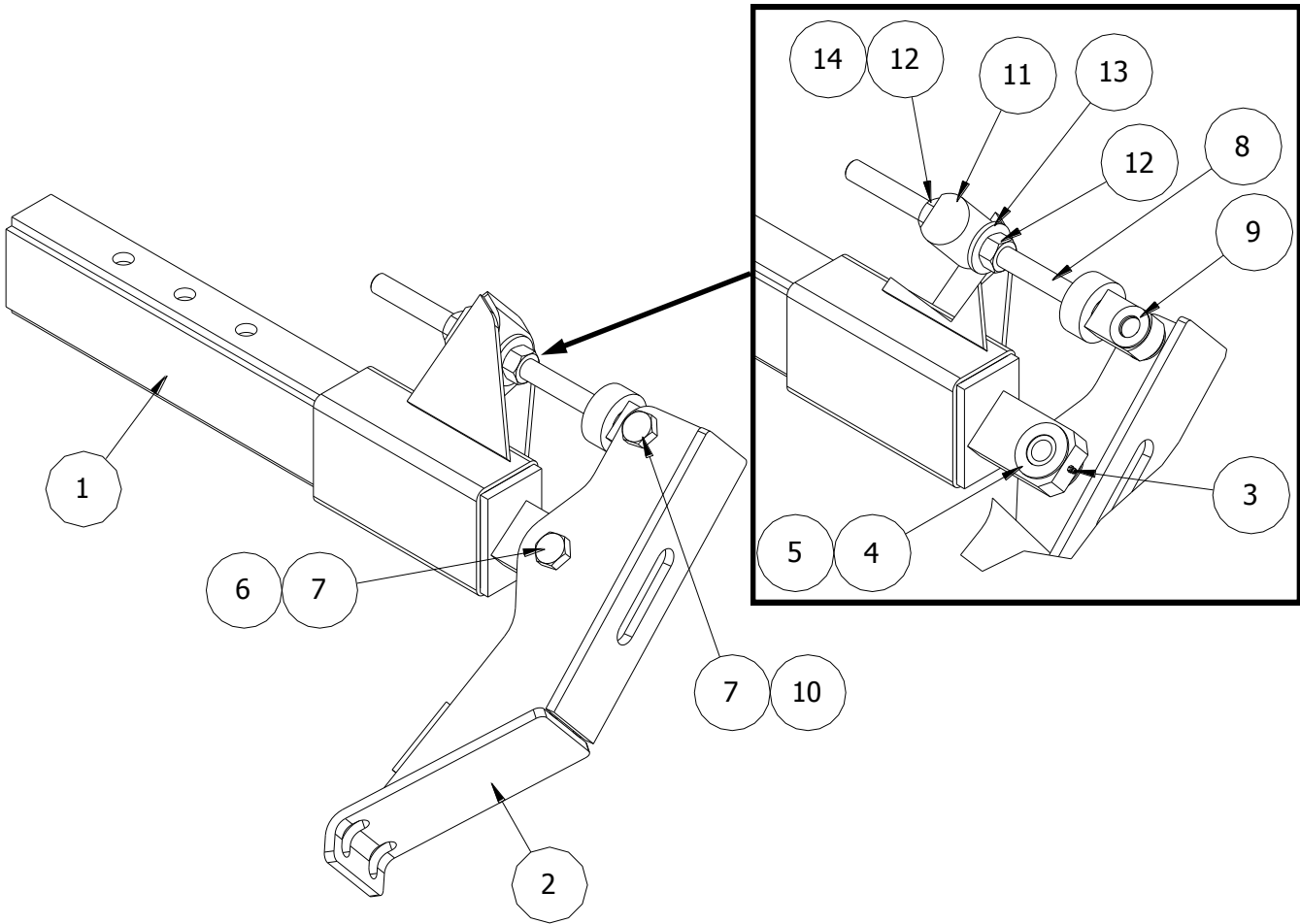
RIGHT FLIP-OVER WING



ITEM	PMF PART NO	KMC PART NO	DESCRIPTION	QTY
1	-	61-081-003	TOOL TENSIONER EXTENSION, RT	1
2	05-51115-00	61-080-075	FLIP-OVER WING RH	1
3	31-10608-01	61-050-024	PIN, 7/8" X 6.5" USBL HITCH	1
4	05-51018-01	61-080-039	PLATED PIN, 1 X 5 1/2	1
5	05-51051-01	61-080-061	HINGE BOLT, 8 15/32 OVERALL	1
6	31-50599-04	-	FLATWASHER, 1" UHMW	5
7	05-51015-01	61-024-038	SPACER, PLATED	1
8	-	62-020050	FLATWASHER, 1" SAE PLT	3
9	30-90376-24	61-027-047	WASHER, 2.0 X .9 X .375	2
10	-	72-020115	LOCKNUT, 7/8 NYLON INSERT PLT	2
11	05-51052-01	61-080-062	HINGE BOLT, 6" OVERALL	1
12	-	02-050-007	PIN, 1/4 X 1 1/2 ROLL-ZINC PLT	1
13	-	76-010200	COTTER PIN, 1/4 X 2	1

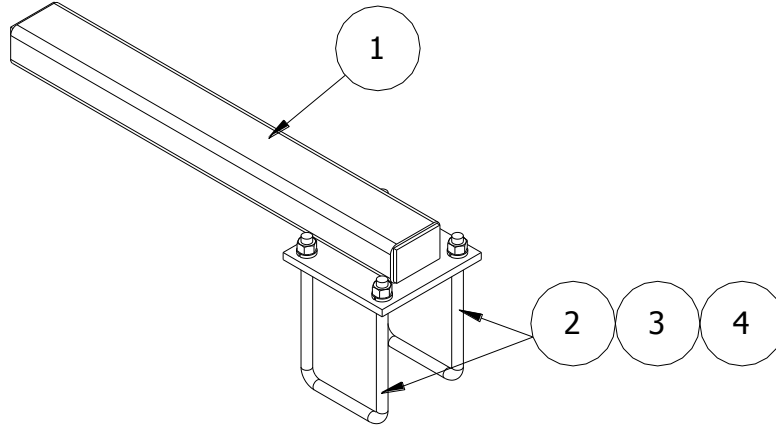
45' ROTARY HARROW

RIGHT TOOL TENSIONER EXTENSION



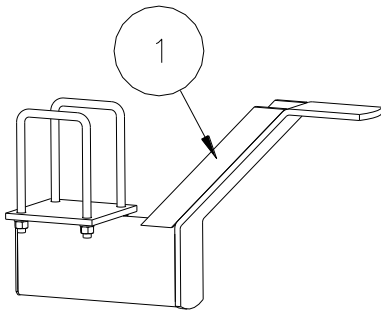
ITEM	PMF PART NO	KMC PART NO	DESCRIPTION	QTY
1	05-51121-00	61-080-080	RH WING EXTENSION	1
2	05-51097-00	61-080-071	TOOL LEVER, LONG STROKE	1
3	-	02-050-005	FITTING, 1/4-28 GREASE	1
4	05-01648-01	61-050-012	THRUST WASHER	2
5	05-01646-01	61-026-023	BUSHING, HARDENED	1
6	31-50299-05	-	LOCKNUT, 1 STOVER G"C" PLT	1
7	-	48-200350	CAPSCREW, 1 X 5 G8 PLT	2
8	05-51098-00	61-080-072	TENSION ROD, LONG STROKE, PLT	1
9	31-50399-04	61-050-036	1" PLASTIC WASHER	2
10	-	72-010140	LOCKNUT, 1 NYLON	1
11	71-51004-00	61-026-025	BUSHING, TENSION ROD	1
12	-	68-010460	HEX NUT, 1 G8 PLT	1
13	71-51003-00	61-050-039	WASHER, ROD SUPPORT	1
14	-	62-020075	WASHER, 1 HARDENED SAE PLT	1

**WING TOOL CATCHER (PRIOR TO 2007)
(2 PER MACHINE)**

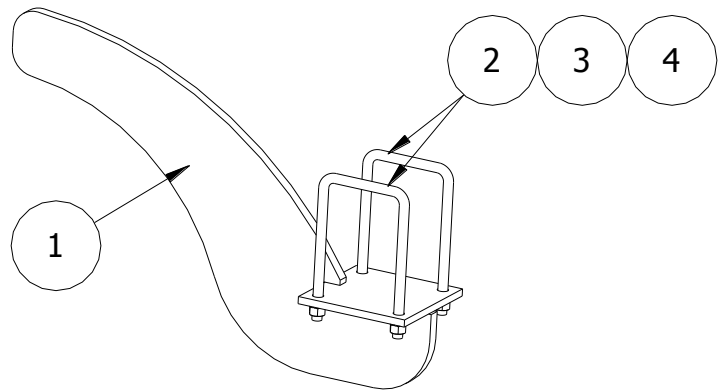


ITEM	PMF PART NO	KMC PART NO	DESCRIPTION	QTY
1	05-51036-01	-	WING TOOL CATCHER	1
2	31-10946-19	-	U-BOLT, 1/2 X 4 9/16W X 7 1/4L	2
3	31-50350-01	-	LOCKWASHER, 1/2	4
4	31-50250-01	-	HEX NUT, 1/2	4

**WING TOOL CATCHER (2007)
(4 PER MACHINE)**



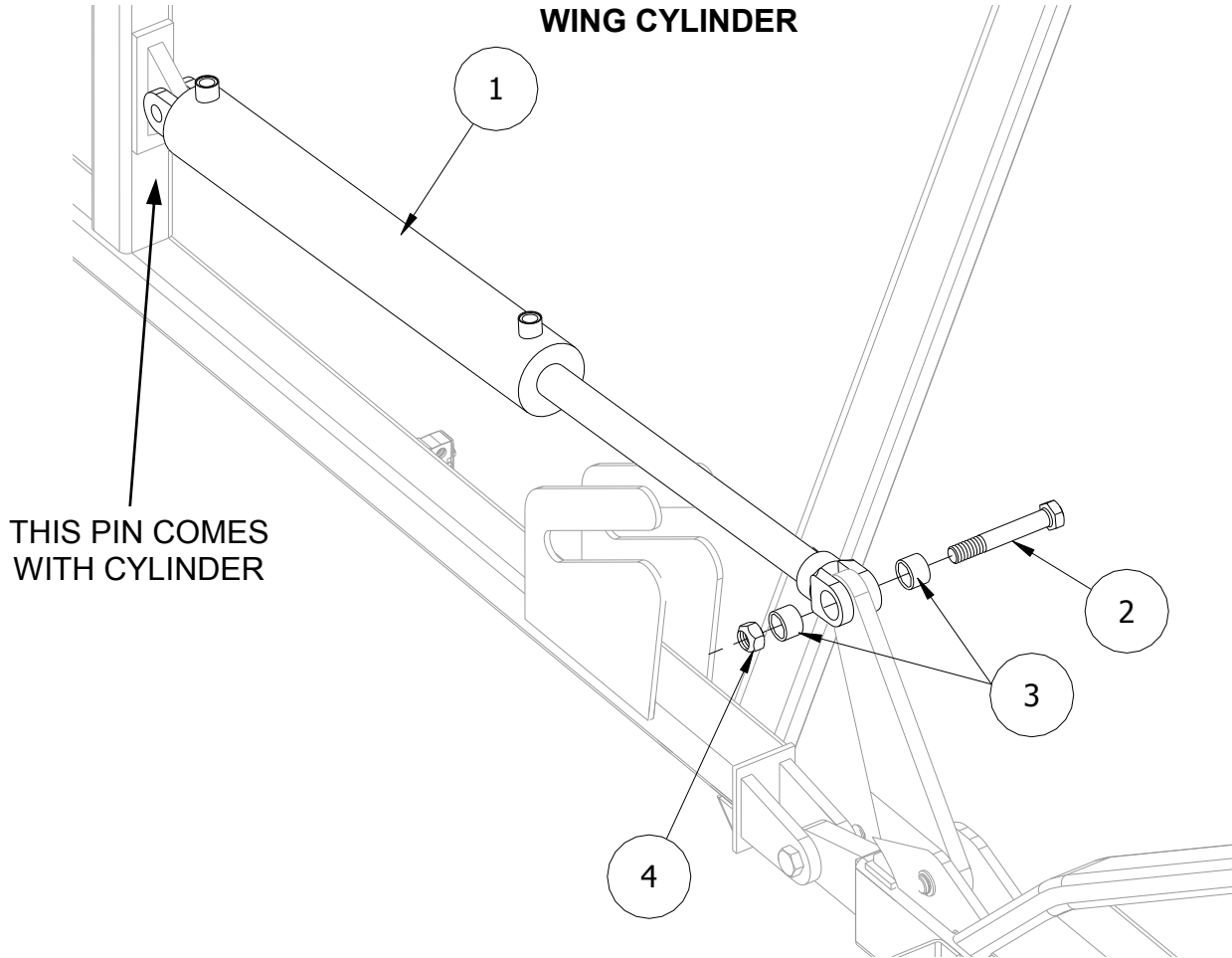
**WING TOOL CATCHER (2008 TO PRESENT)
(2 PER MACHINE)**



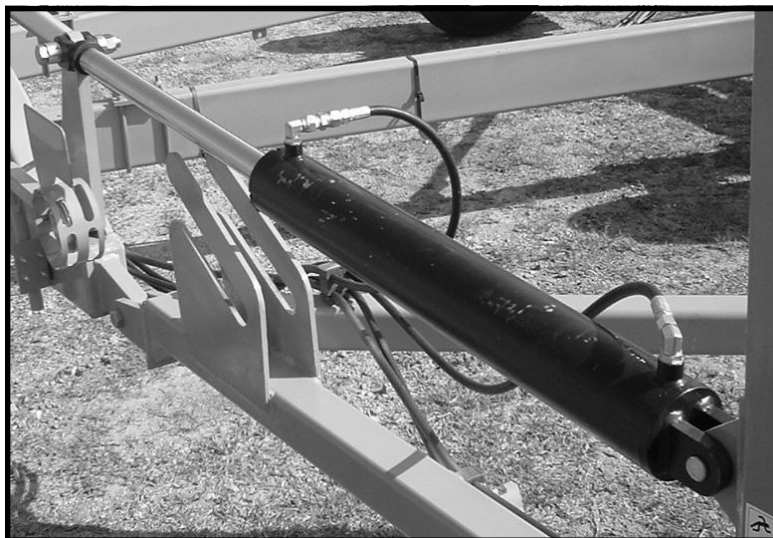
ITEM	PMF PART NO	KMC PART NO	DESCRIPTION	QTY
1	-	61-080-014	WING TOOL CATCHER (2007)	1
	-	61-080-053	WING TOOL CATCHER (2008)	
2	31-10946-19	61-050-029	U-BOLT, 1/2 X 4 9/16W X 7 1/4L	2
3	31-50350-01	66-010250	LOCKWASHER, 1/2	4
4	31-50250-01	68-010250	HEX NUT, 1/2	4

45' ROTARY HARROW

WING CYLINDER

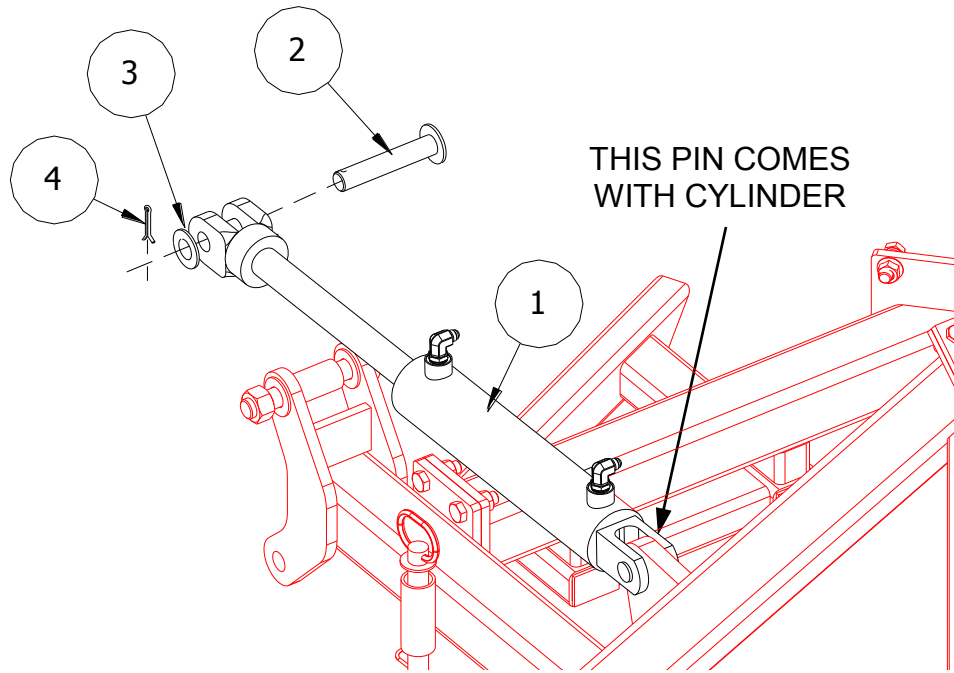


ITEM	PMF PART NO	KMC PART NO	DESCRIPTION	QTY
1	31-10517-04	61-061-014	4 X 30 HYD CYLINDER (-2013)	(1)
	-	61-061-027	4 X 30 HYD CYLINDER (2014-)	1
2	-	48-200500	CAPSCREW, 1 X 6 1/2 G8 PLT	1
3	05-51013-01	61-024-041	LEVEL GUIDE, PLT	2
4	31-50299-05	72-030100	LOCKNUT, 1" TOPLOCK G8 PLT	1



45' ROTARY HARROW

FLIP-OVER WING CYLINDER

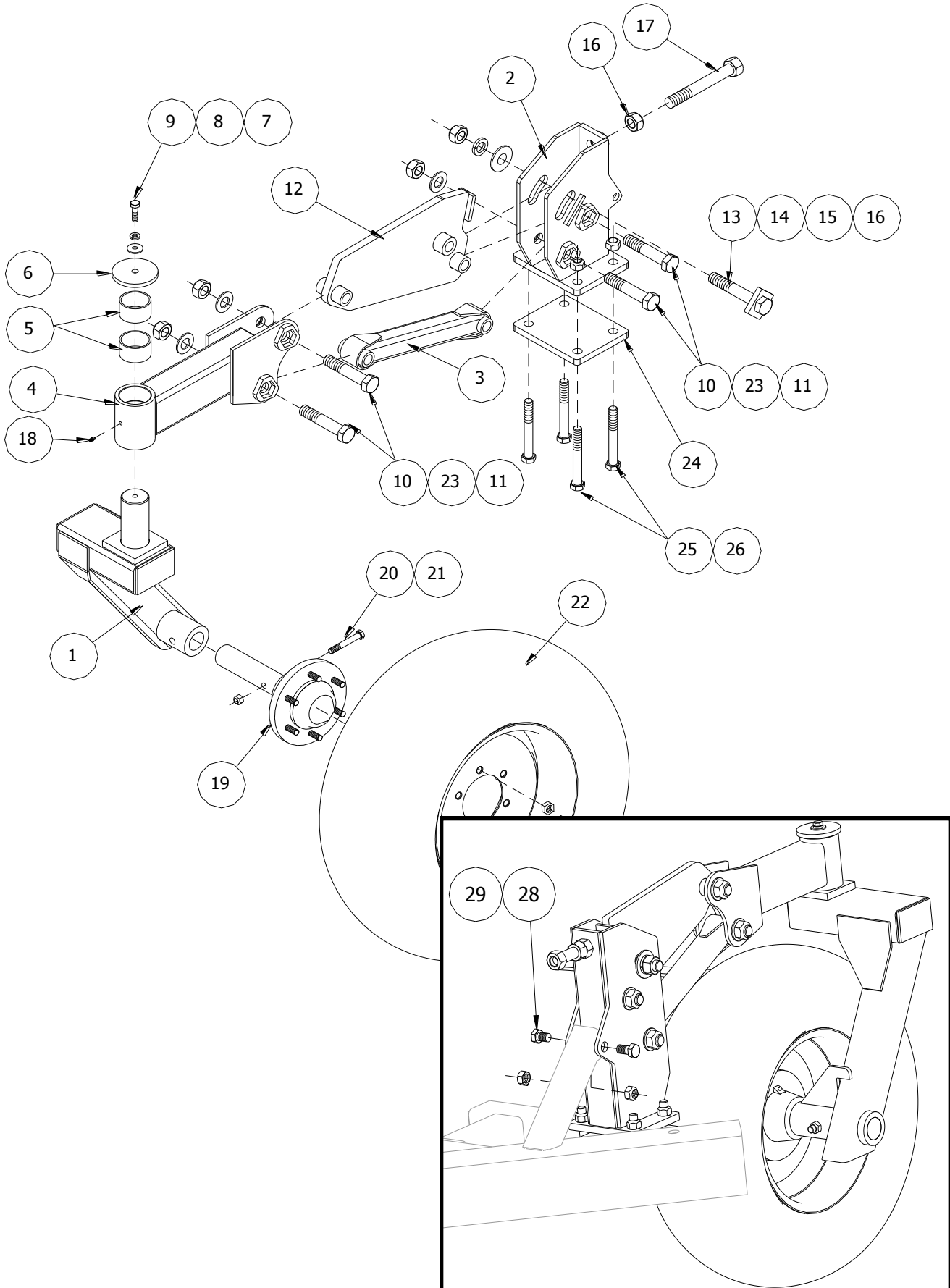


ITEM	PMF PART NO	KMC PART NO	DESCRIPTION	QTY
1	31-10517-03	61-061-011	3 X 12 HYD CYLINDER (-2013)	(1)
	-	61-061-025	3 X 12 HYD CYLINDER (2014-)	1
2	05-51018-01	61-080-039	PLATED PIN , 1 X 5 1/2	1
3	-	62-020050	FLATWASHER, 1 SAE PLT	1
4	-	76-010200	COTTER PIN, 1/4 X 2	1



45' ROTARY HARROW

WING CASTER WHEEL ASSEMBLY (61-081-004)
(PRIOR TO 2007)

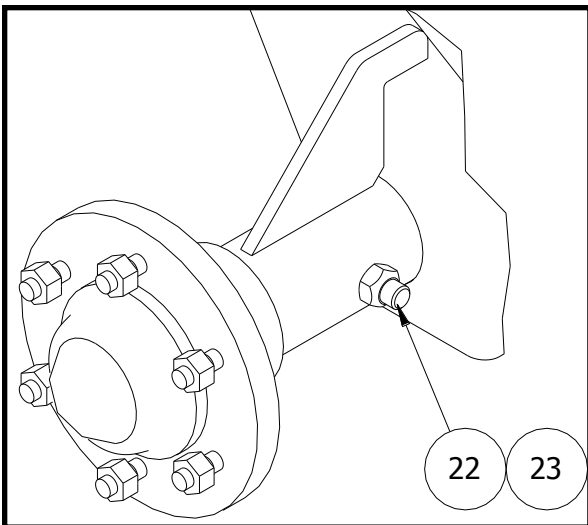
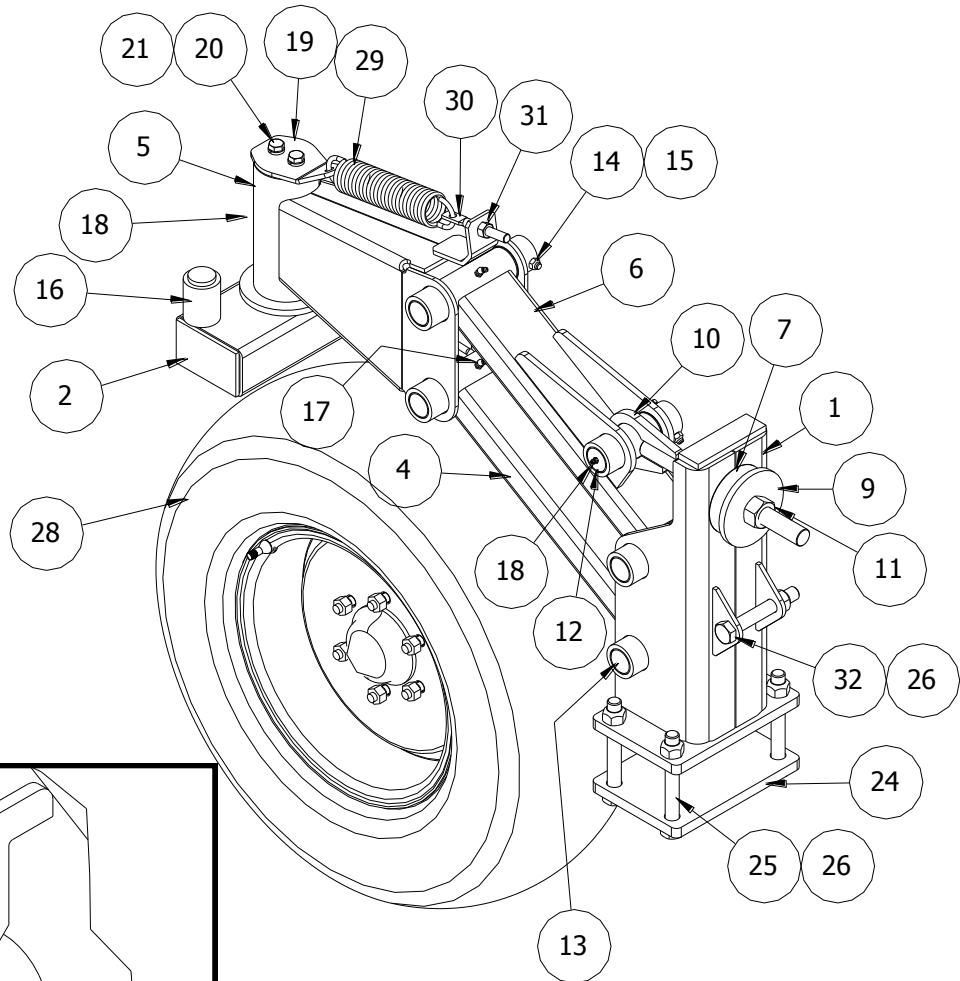
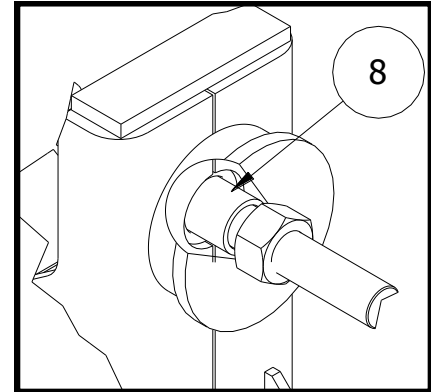
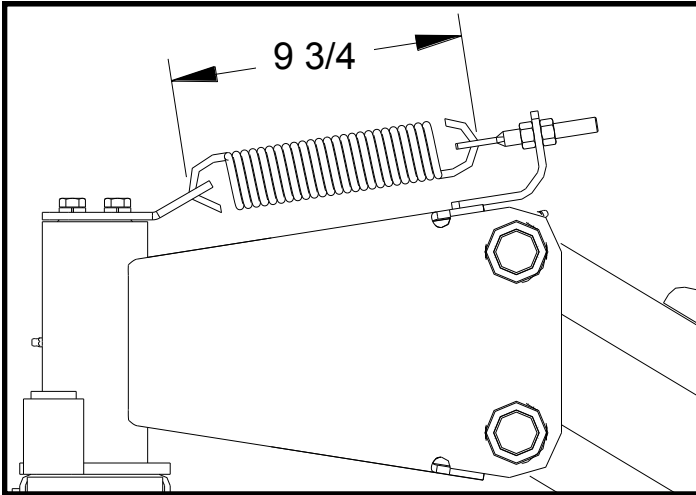


45' ROTARY HARROW

ITEM	PMF PART NO	KMC PART NO	DESCRIPTION	QTY
1	05-51079-01	-	SWIVEL, CASTER WHEEL	1
2	05-51058-01	-	CASTER BRKT, WITH LINKS	1
3	05-51095-01	61-080-025	ARM, LOWER CASTER	1
4	05-51057-01	-	CASTER BUSHING ARM	1
5	05-01873-01	61-050-013	CASTER BUSHING	2
6	05-01142-01	61-027-035	SPRING CAP, CASTER	1
7	-	62-010200	FLATWASHER, 1/2 STD PLT	1
8	-	66-010250	LOCKWASHER, 1/2 REG PLT	1
9	-	48-090595	CAPSCREW, 1/2 X 1 1/2 NC G5 PLT	1
10	-	48-200350	CAPSCREW, 1 X 5 G8 PLT	4
11	31-50299-05	-	LOCKNUT, 1" NC STOVER G"C" PLT	4
12	05-51100-01	-	CASTER, UPPER ARM	1
13	05-51044-01	61-080-028	LOCK BOLT, CASTER WHEEL	1
14	31-50399-01	62-010370	FLATWASHER, 1" STD PLT	1
15	31-50399-02	66-010450	LOCKWASHER, 1" PLT	1
16	31-50299-02	68-010460	HEX NUT, 1" PLT	2
17	05-51061-01	61-080-029	HEIGHT ADJ BOLT, 2000 CASTER	1
18	31-50904-02	02-050-005	FITTING, 1/4-28 STRT. GREASE	1
*19	30-90544-01	61-058-007	HUB AND SPINDLE ASSY 6-BOLT	1
20	-	48-200032	CAPSCREW, 5/8 X 4 UNC G8 PLT	1
21	-	72-020050	LOCKNUT, 5/8 NC STOVER G"C" PLT	3
22	05-51081-01	61-081-036	SMOOTH TIRE & RIM	1
23	31-50399-03	62-020050	FLATWASHER, 1 SAE PLT	4
24	30-90376-09	61-023-023	BOTTOM PLATE, CASTER BRACKET	1
25	31-50175-09	-	CAPSCREW, 3/4 X 6 NC G8 PLT	4
26	-	72-020128	LOCKNUT, 3/4 STOVER G"C" PLT	4
27	31-50163-14	48-200042	5/8 X 1 1/2 CAPSCREW	2
28	-	48-091273	CAPSCREW, 3/4 X 1 1/2 G5 PLT	2
29	-	72-020128	LOCKNUT, 3/4 STOVER G"C" PLT	2

* For Breakdown on hub and spindle see page 7.

HEAVY DUTY WING CASTER WHEEL ASSEMBLY (61-081-009)
(2007 TO PRESENT)

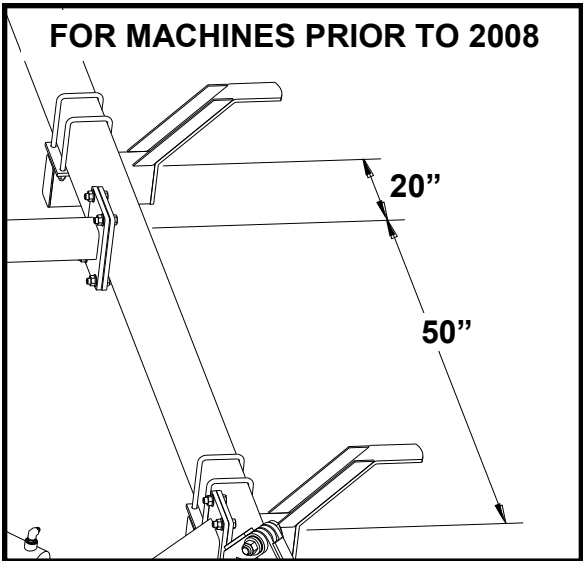
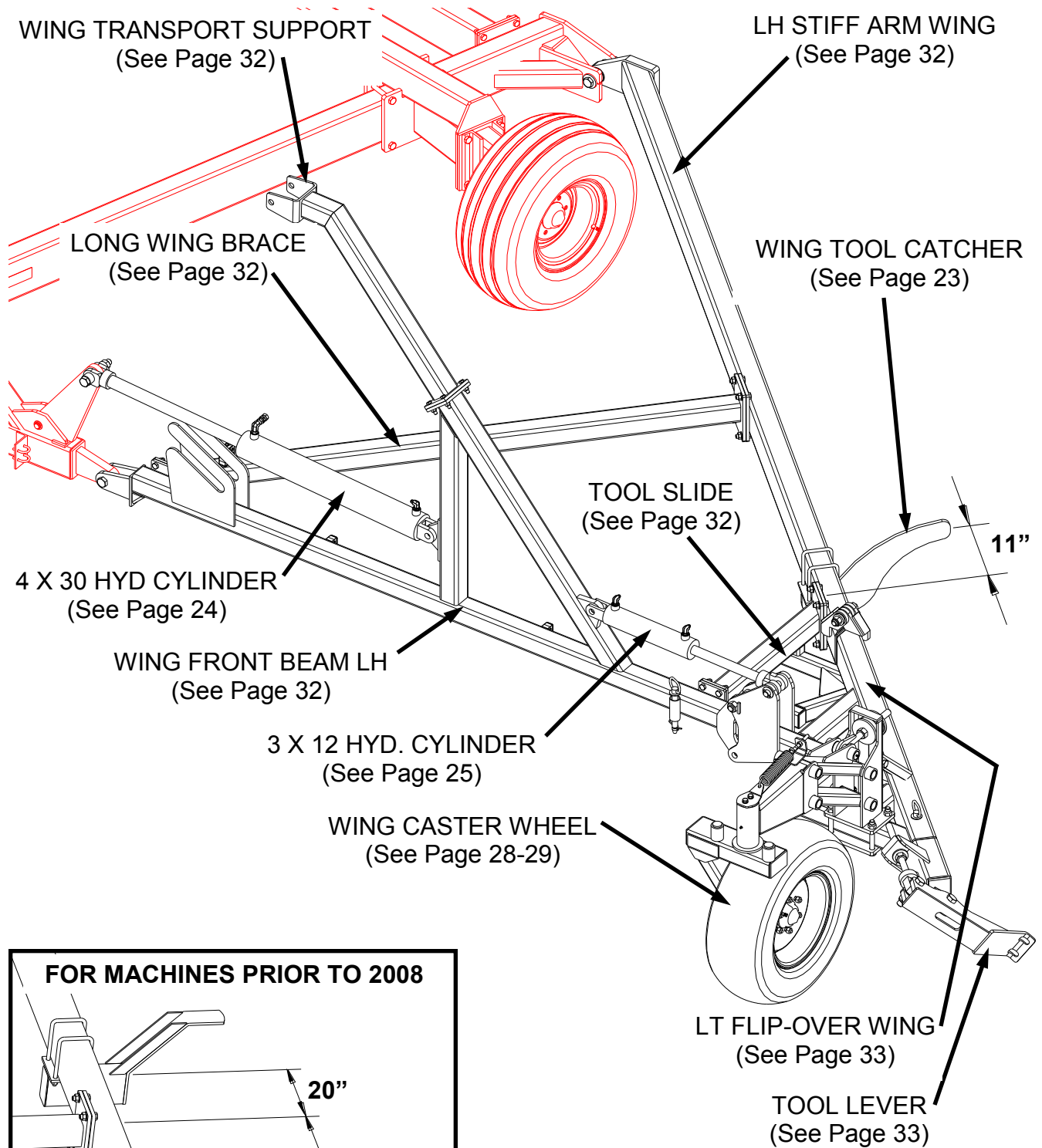


45' ROTARY HARROW

ITEM	PMF PART NO	KMC PART NO	DESCRIPTION	QTY
1	-	61-080-006	CASTER MOUNT BRACKET WING	1
2	-	61-080-009	CASTER SWIVEL, H.D.	1
3	-	61-080-007	CASTER BUSHING ARM, H.D.	1
4	-	61-080-010	CASTER, LOWER LINK H.D.	1
5	-	61-050-003	CASTER BUSHING, H.D.	2
6	-	61-080-011	CASTER, UPPER LINK, H.D.	1
7	-	61-026-012	CASTER, CUSHION BLOCK, H.D.	2
8	-	61-024-016	SPACER, CUSHION BLOCK, H.D.	1
9	-	61-027-020	WASHER, CUSHION BLOCK, H.D.	2
10	-	61-080-012	HEIGHT ADJUSTMENT, H.D.	1
11	-	68-010460	HEX NUT, 1" G8 PLT	2
12	-	61-026-011	SHORT PIVOT PIN, H.D.	1
13	-	61-026-010	LONG PIVOT PIN, H.D.	4
14	-	48-090220	CAPSCREW, 3/8 X 2 1/2 G5 PLT	5
15	-	72-010050	LOCKNUT, 3/8 STOVER GB PLT	5
16	-	61-059-001	CASTER BUMPER, H.D.	2
17	-	02-050-017	FITTING, 1/4-28 45 DEG.	4
18	-	02-050-005	FITTING, 1/4-28 STRT GREASE	2
19	-	61-027-021	CASTER CAP, H.D.	1
20	-	66-010250	LOCKWASHER, 1/2 REG PLT	2
21	-	48-090592	CAPSCREW, 1/2 X 1 1/4 G5 PLT	2
22	-	48-091060	CAPSCREW, 5/8 X 4 G5 PLT	1
23	-	72-020050	LOCKNUT, 5/8 STOVER GC PLT	3
24	-	61-027-011	BASE PLATE, H.D. CASTER	1
25	31-50175-09	48-200058	CAPSCREW, 3/4 X 6 G8 PLT	4
26	-	72-020128	LOCKNUT, 3/4 STOVER, GC PLT	4
27	30-90544-01	61-058-007	HUB AND SPINDLE 6-BOLT	1
28	05-51081-01	61-081-036	SMOOTH TIRE & RIM 15" X 6-BOLT	1
29	-	61-050-004	SPRING, TENSION CASTER	1
30	-	61-050-005	ANCHOR, SPRING, CASTER	1
31	-	68-010260	HEX NUT, 1/2 G8 PLT	2
32	31-50175-14	48-200057	BOLT, 3/4 X 5 G8 PLT	1

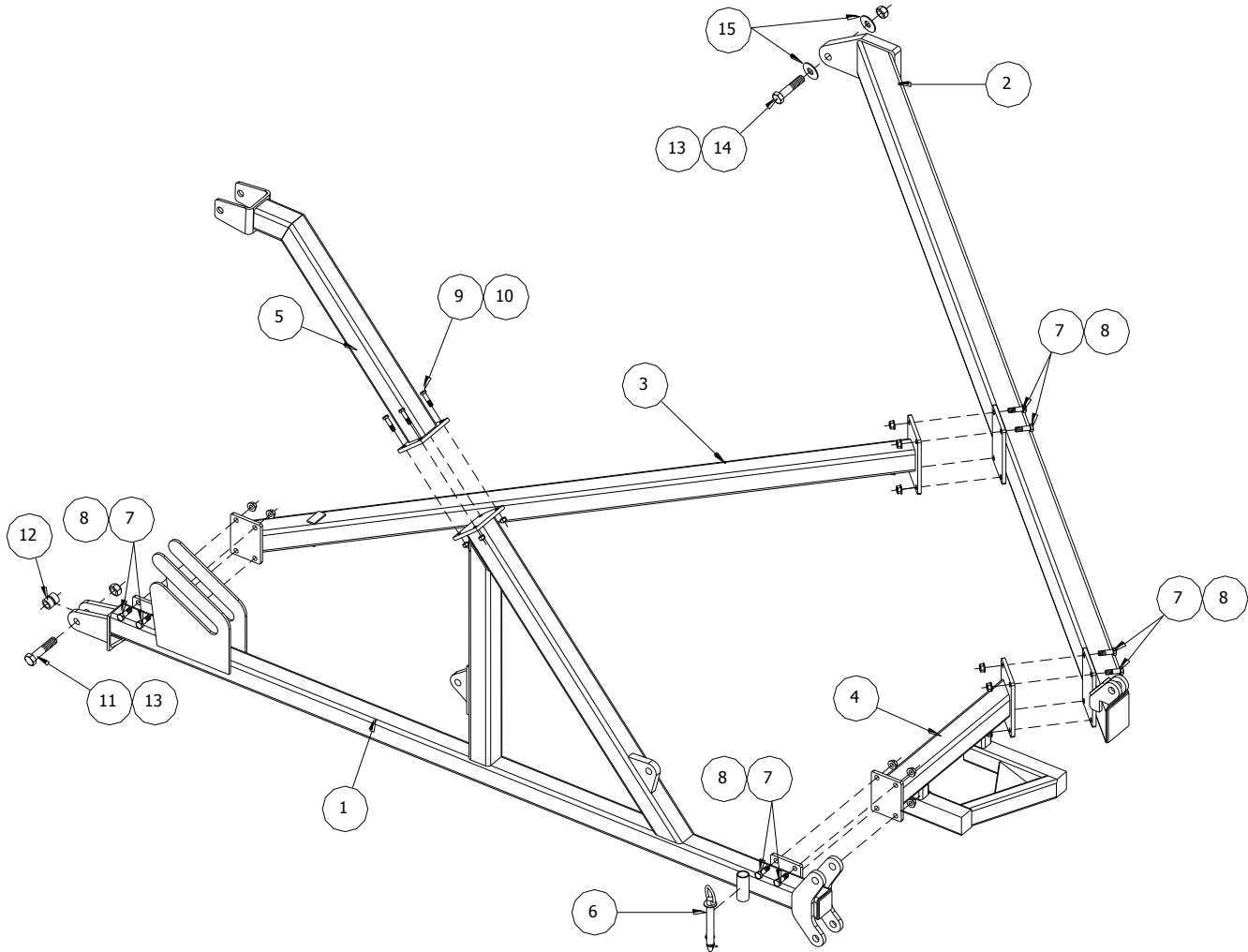
BLANK
PAGE

LEFT WING ASSEMBLY



45' ROTARY HARROW

LEFT WING MAIN FRAME

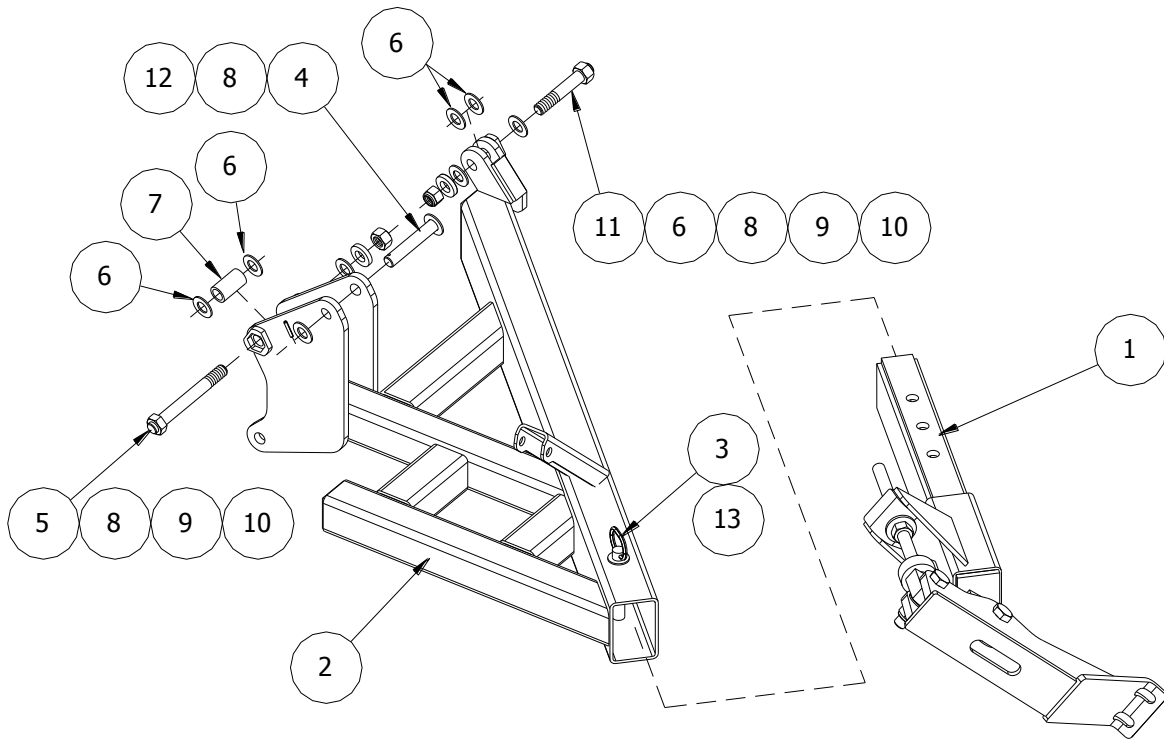


ITEM	PMF PART NO	KMC PART NO	DESCRIPTION	QTY
1	05-51028-04	61-080-046	WING FRONT BEAM, LH	1
2	05-51025-04	61-080-043	ASSY, LH STIFF ARM WING	1
3	05-51026-02	61-080-044	WING, LONG BRACE	1
4	05-51037-04	-	TOOL SLIDE, LH (2007)	(1)
	-	61-080-034	TOOL SLIDE, LH (2008)	1
5	05-51034-02	61-080-047	WING TRANSPORT SUPPORT LH	1
6	31-10608-01	61-050-024	PIN, 7/8" X 6.5" USBL HITCH	1
7	31-50163-12	-	5/8 X 2 UNC BOLT	16
8	-	68-010320	NUT, 5/8 TECHLOCK FLANGE GRD "G"	16
9	31-50150-17	48-090603	CAPSCREW, 1/2 X 2 NC G8 PLT	4
10	31-50250-08	72-020127	LOCKNUT, 1/2 NC STOVER G"C" PLT	4
11	31-50199-03	48-200325	CAPSCREW, 1 X 4 1/2 G8 PLT	1

45' ROTARY HARROW

ITEM	PMF PART NO	KMC PART NO	DESCRIPTION	QTY
12	05-51011-01	61-026-024	BUSHING LONG	1
13	31-50299-05	-	LOCKNUT, 1" TOPLOCK G8 PLT	2
14	31-50199-09	-	CAPSCREW, 1 X 7 1/2 G8 PLT	1
15	05-01648-01	61-050-012	WASHER, THRUST-UHMW	1

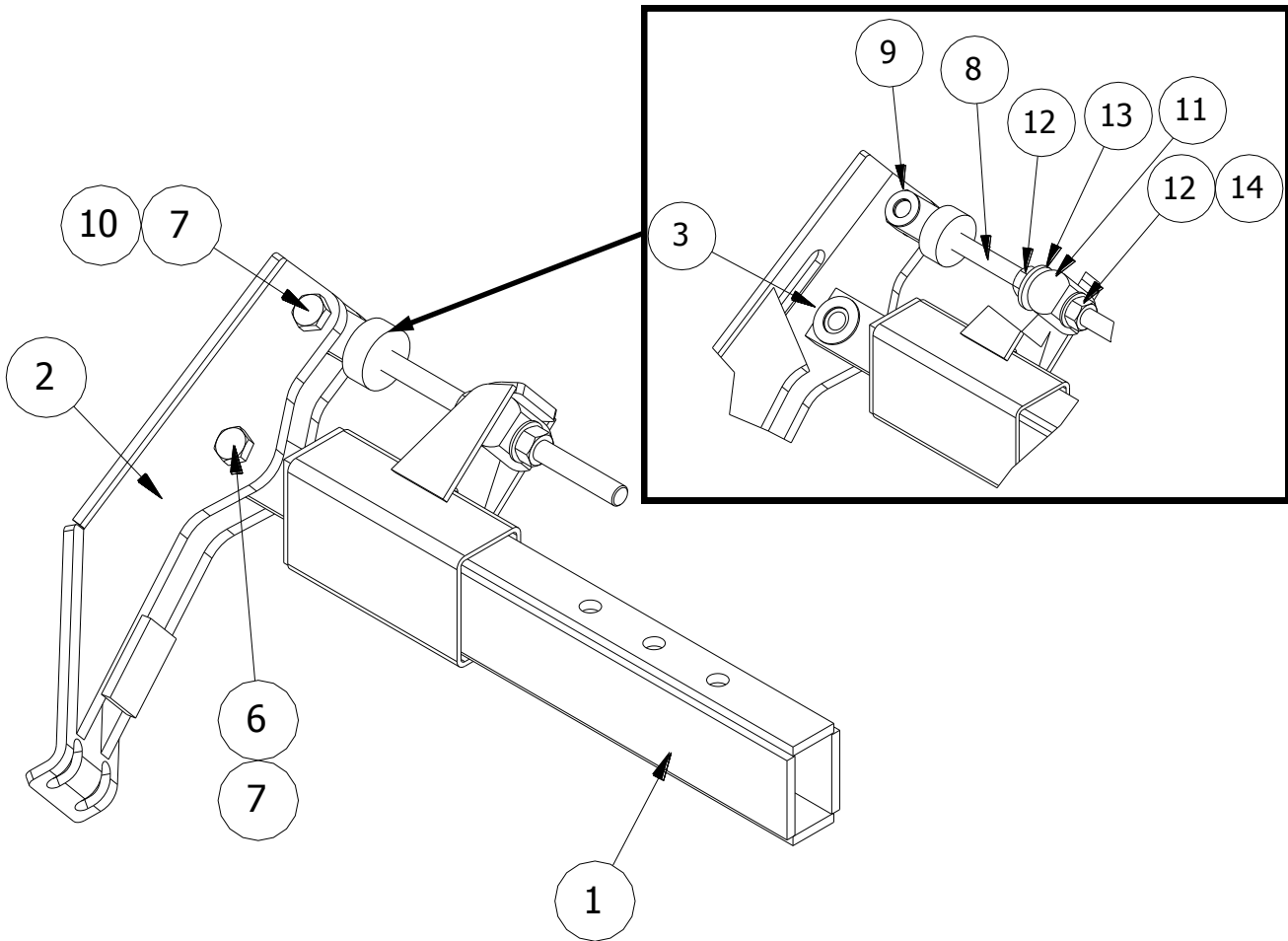
LEFT FLIP-OVER WING



ITEM	PMF PART NO	KMC PART NO	DESCRIPTION	QTY
1	-	61-081-002	TOOL TENSIONER EXTENSION, LT	1
2	05-51114-00	61-080-074	FLIP-OVER WING LT	1
3	31-10608-01	61-050-024	PIN, 7/8" X 6.5" USBL HITCH	1
4	05-51018-01	61-080-039	PLATED PIN, 1 X 5 1/2	1
5	05-51051-01	61-080-061	HINGE BOLT, 8 15/32 OVERALL	1
6	31-50599-04	-	FLATWASHER, 1" UHMW	5
7	05-51015-01	61-024-038	SPACER, PLATED	1
8	-	62-020050	FLATWASHER, 1" SAE PLT	3
9	30-90376-24	-	WASHER, 2.0 X .9 X .375	2
10	-	72-020115	LOCKNUT, 7/8 NYLON INSERT PLT	2
11	05-51052-01	61-080-062	HINGE BOLT, 6" OVERALL	1
12	-	02-050-007	PIN, 1/4 X 1 1/2 ROLL-ZINC PLT	1
13	-	76-010200	COTTER PIN, 1/4 X 2	1

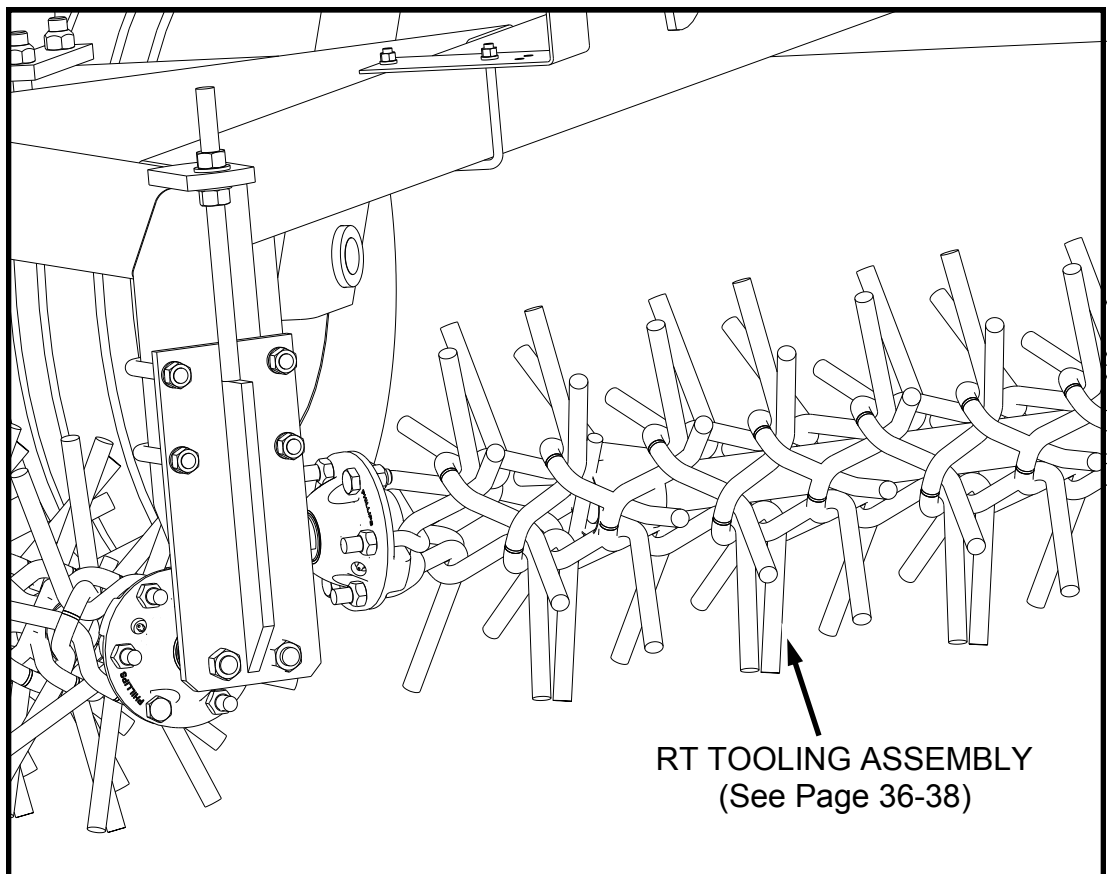
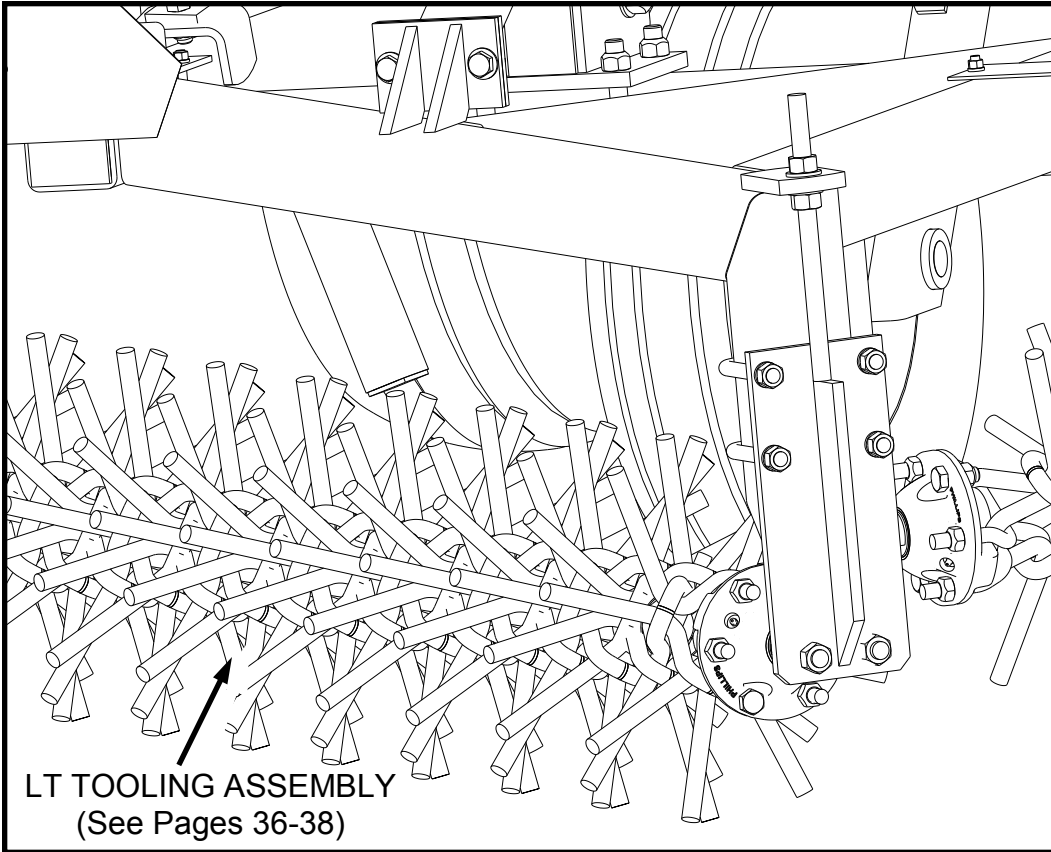
45' ROTARY HARROW

LEFT TOOL TENSIONER EXTENSION

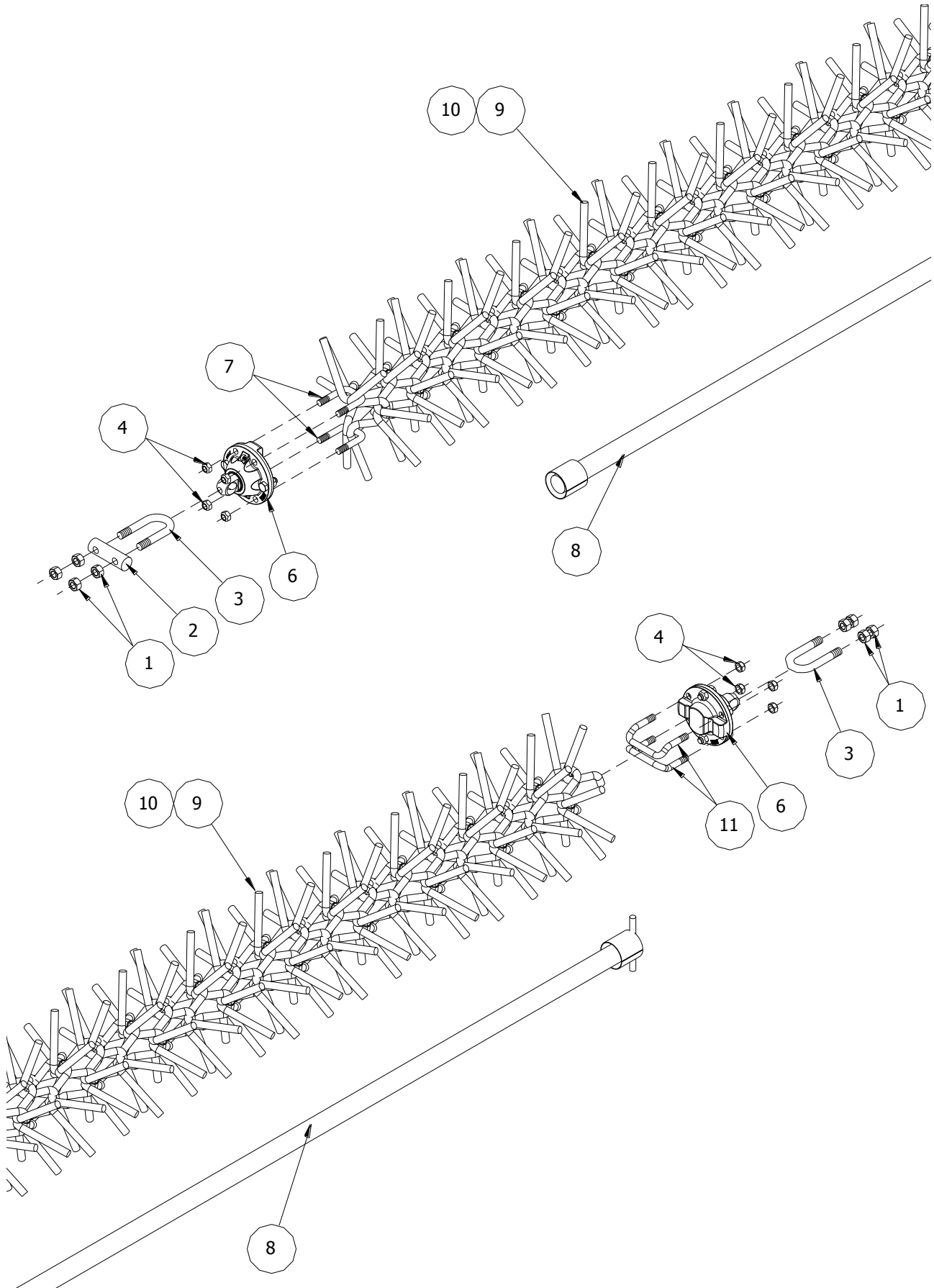


ITEM	PMF PART NO	KMC PART NO	DESCRIPTION	QTY
1	05-51122-00	61-080-081	LH WING EXTENSION	1
2	05-51097-00	61-080-071	TOOL LEVER, LONG STROKE	1
3	-	02-050-005	FITTING, 1/4-28 GREASE	1
4	05-01648-01	61-050-012	THRUST WASHER	2
5	05-01646-01	61-026-023	BUSHING, HARDENED	1
6	31-50299-05	-	LOCKNUT, 1 STOVER G"C" PLT	1
7	-	48-200350	CAPSCREW, 1 X 5 G8 PLT	2
8	05-51098-00	61-080-072	TENSION ROD, LONG STROKE, PLT	1
9	31-50399-04	61-050-036	1" PLASTIC WASHER	2
10	-	72-010140	LOCKNUT, 1 NYLON	1
11	71-51004-00	61-026-025	BUSHING, TENSION ROD	1
12	-	68-010460	HEX NUT, 1 G8 PLT	1
13	71-51003-00	61-050-039	WASHER, ROD SUPPORT	1
14	-	62-020075	WASHER, 1 HARDENED SAE PLT	1

LEFT & RIGHT TOOLING ASSEMBLY



45' ROTARY HARROW
LEFT & RIGHT SIDE TOOLING ASSEMBLY



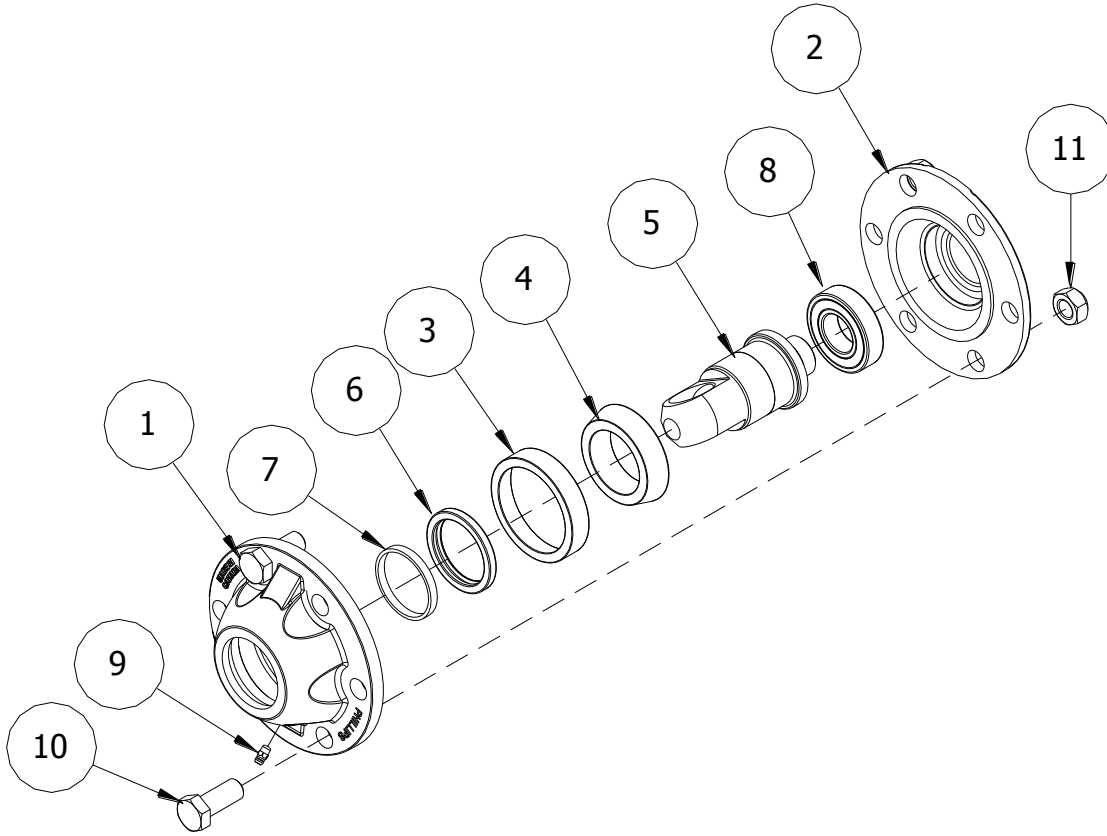
RIGHT SIDE TOOLING ASSEMBLY

ITEM	PMF PART NO	KMC PART NO	DESCRIPTION	QTY
1	31-50275-02	-	3/4 UNC HEX NUT G8 PLT	8
2	71-41500-00	61-026-022	SHAFT BEARING HOUSING MOUNT, PLT	1
3	31-10945-03	61-050-026	3/4-10 X 2.75W X 4.88L U-BOLT	2
4	31-50263-05	-	5/8 UNC UNITORQUE NUT G8 PLT	8
6	05-02004-00	61-081-032	TOOL HOUSING ASSEMBLY, 5/8 BOLTS	2
7	31-10946-25	61-050-031	U-BOLT, 5/8 X 4 11/16W X 3.5L	2
8	05-51126-00	-	CABLE R.H. 4505	1
	-	-	CABLE - 2" DIA	27'-7/8"
9	05-02002-01	61-050-014	TOOL, HARROW - LARGE LH	138
10	05-02002-02	61-050-015	TOOL, HARROW - LARGE RH	138
11	31-10947-03	61-050-032	U-BOLT, BENT, 5/8 X 4 11/16 X 3.5L G5	2
12	05-51113-00	-	TOOLING ASSEMBLY, RH 4505	1

LEFT SIDE TOOLING ASSEMBLY

ITEM	PMF PART NO	KMC PART NO	DESCRIPTION	QTY
1	31-50275-02	-	3/4 UNC HEX NUT G8 PLT	8
2	71-41500-00	61-026-022	SHAFT BEARING HOUSING MOUNT, PLT	1
3	31-10945-03	61-050-026	3/4-10 X 2.75W X 4.88L U-BOLT	2
4	31-50263-05	-	5/8 UNC UNITORQUE NUT G8 PLT	8
6	05-02004-00	61-080-032	TOOL HOUSING ASSEMBLY, 5/8 BOLTS	2
7	31-10946-25	61-080-031	U-BOLT, 5/8 X 4 11/16W X 3.5L	2
8	05-51092-01	-	CABLE L.H. 4505	1
	-	-	CABLE - 2" DIA	32'-7/8"
9	05-02002-01	61-050-014	TOOL, HARROW - LARGE LH	160
10	05-02002-02	61-050-015	TOOL, HARROW - LARGE RH	160
11	31-10947-03	61-050-032	U-BOLT, BENT, 5/8 X 4 11/16W X 3.5L G5	2
12	05-51132-00	-	TOOLING ASSEMBLY, LH 4505	1

TOOLING HOUSING ASSEMBLY
(PMF # 05-02004-00) (KMC # 16-081-032)

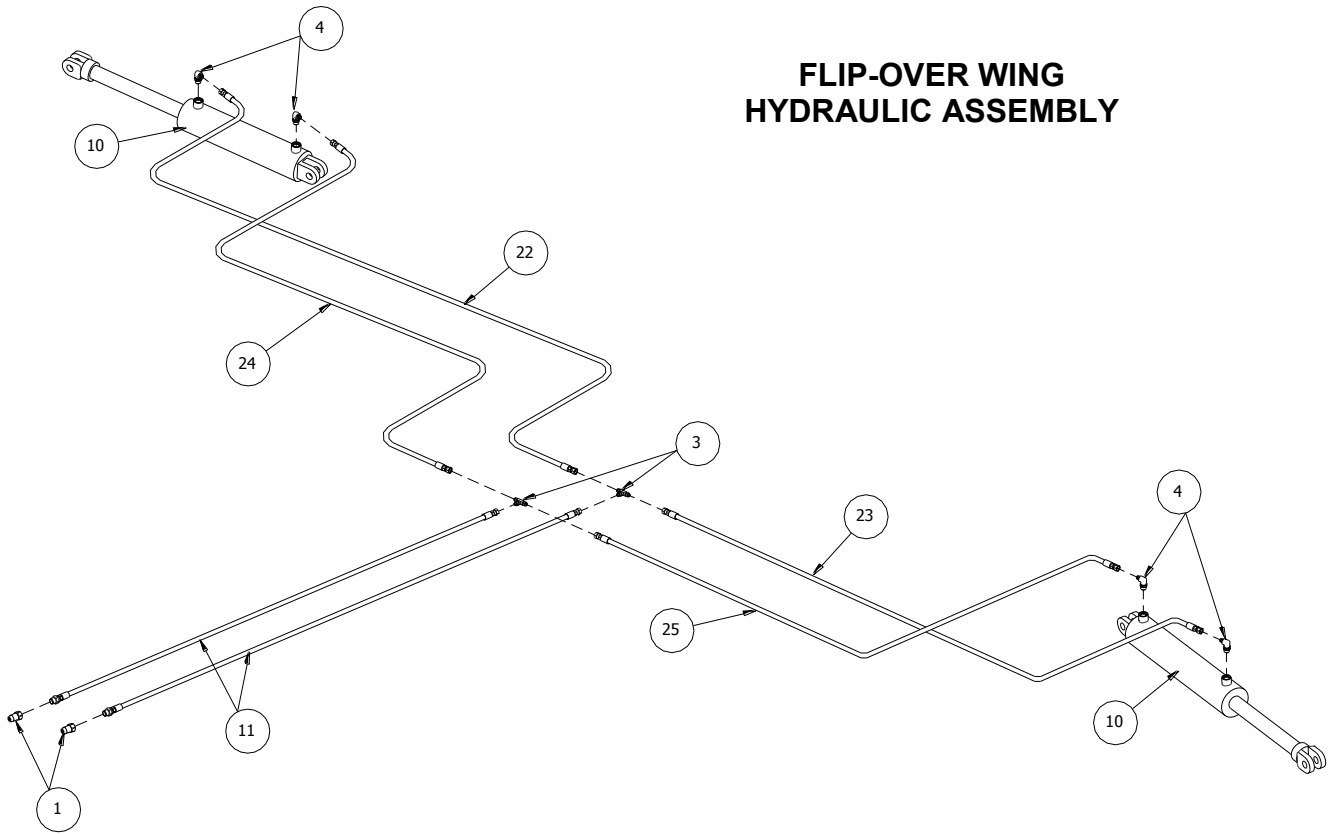


ITEM	PMF PART NO	KMC PART NO	DESCRIPTION	QTY
1	05-00002-01	61-057-005	BRG HSG HALF, W HOLE, 5/8 PLT	1
2	05-00001-01	61-057-004	CASTING, BEARING HSG, BACK W/PADS	1
3	31-10211-02	61-051-003	4T-JLM104910PK CUP	1
4	31-10211-01	61-051-002	4T-JLM104948 PK CONE	1
5	05-01287-01	61-026-026	SHAFT, BRG HSG	1
6	31-50909-05	61-056-002	SEAL, CR19608	1
7	05-01785-01	61-056-001	SEAL, INSERT- BRG HSG	1
8	31-10206-01	61-051-001	6206 DDU BEARING	1
9	31-50904-02	02-050-005	FITTING, 1/4-28 STRT GREASE	1
10	31-50163-14	48-200042	CAPSCREW, 5/8 X 1 1/2 NC G8 PLT	2
11	31-50263-05	72-020050	LOCKNUT, 5/8 NC STOVER G"C" PLT	2

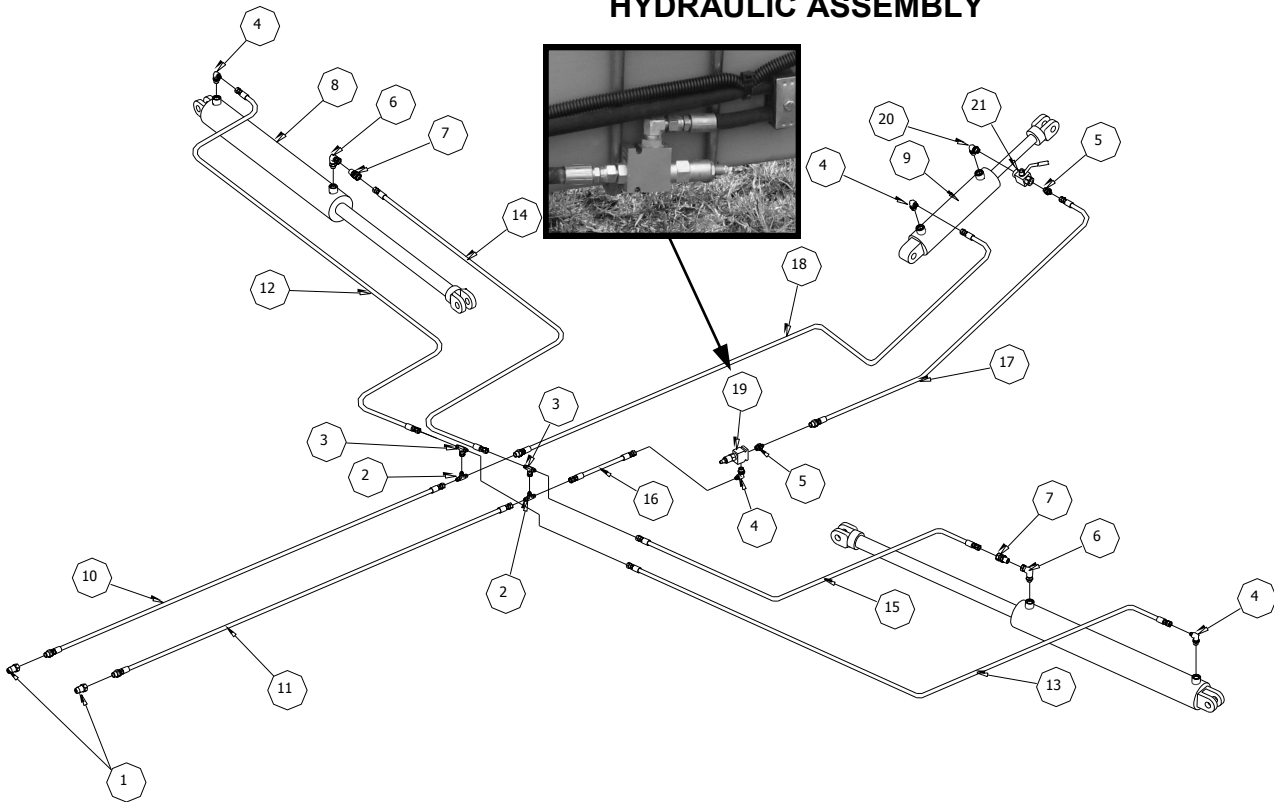
BLANK
PAGE

HYDRAULIC COMPONENTS

FLIP-OVER WING HYDRAULIC ASSEMBLY



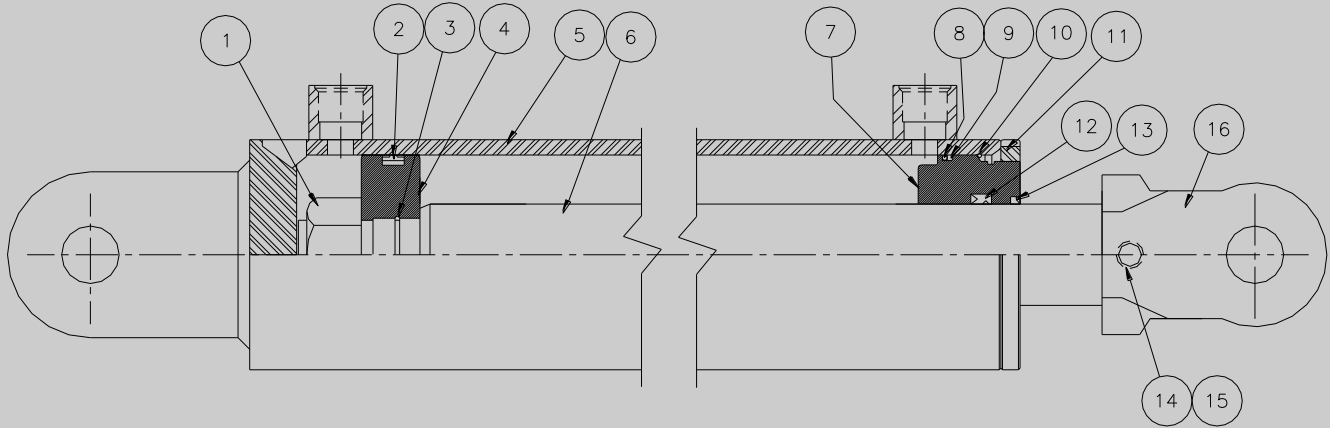
MAIN WING & TAIL HYDRAULIC ASSEMBLY



HYDRAULIC ASSEMBLY

ITEM	PMF PART NO	KMC PART NO	DESCRIPTION	QTY
1	31-10530-01	47-059-002	COUPLER, M-PIONEER X 1/2 F-NPT	4
2	31-10503-16	61-059-024	TEE, #6 MJIC X #6 MJIC X #6FJIC	2
3	31-10503-17	61-059-025	TEE, #6 MJIC X 3	4
4	31-10503-15	61-059-023	ELBOW, #8 MORB X #6 MJIC	8
5	31-10503-06	61-059-022	#8 MORB - #6MJIC	2
6	31-10503-18	42-059-022	ELBOW, #8 MORB X 1/2 F-NPT	2
7	31-10551-00	21-059-002	ORIFICE BLANK, 1/2 MNPTX A 1/2 FNPT	2
8	31-10517-04	61-061-014	4 X 30 HYD CYLINDER, (-2013)	(2)
	-	61-061-027	4 X 30 HYD CYLINDER, (2014-)	2
9	31-10520-01	61-061-015	3.5 X 12 STROKE CYLINDER (-2013)	(1)
	-	61-061-023	3.5 X 12 STROKE CYLINDER (2014-)	1
10	31-10517-03	61-061-011	3. X 12 STROKE CYLINDER (-2013)	(2)
	-	61-061-025	3. X 12 STROKE CYLINDER (2014-)	2
11	05-51021-01	61-059-003	HOSE, 3/8 X 211, 1/2 MNPTF-6JICX	4
12	05-51021-09	61-059-011	HOSE, 3/8 X 177, 6FJICX-6FJICX	1
13	05-51021-10	61-059-012	HOSE, 3/8 X 139, 6FJICX-6FJICX	1
14	05-51021-12	61-059-014	HOSE, 3/8 X 151, 6FJICX-1/2 MNPT	1
15	05-51021-11	61-059-013	HOSE, 3/8 X 93, 6FJICX-1/2 MNPT	1
16	05-51021-06	61-059-008	HOSE, 3/8 X 24, 6FJICX-6FJICX	1
17	05-51021-08	61-059-010	HOSE, 3/8 X 152, 6FJICX-6FJICX	1
18	05-51021-07	61-059-009	HOSE, 3/8 X 165, 6FJICX-6FJICX	1
19	31-10543-01	61-061-016	SEQU. RV2-10-S-8T-35	1
20	-	33-059-123	ADAPTER, 8MB-8MB-90	1
21	-	33-061-149	BALL VALVE, TANK CYL	1
22	05-51021-02	61-059-004	HOSE, 3/8 X 241, 6FJICX-6FJICX	1
23	05-51021-04	61-059-006	HOSE, 3/8 X 195, 6FJICX-6FJICX	1
24	05-51021-03	61-059-005	HOSE, 3/8 X 226, 6FJICX-6FJICX	1
25	05-51021-05	-	HOSE, 3/8 X 183, 6FJICX-6FJICX	1

TAIL HYDRAULIC CYLINDER (3 1/2" BORE X 12" STROKE)
 (PMF # 31-10520-01) (KMC # 61-061-015)
 (PRIOR TO 2014)



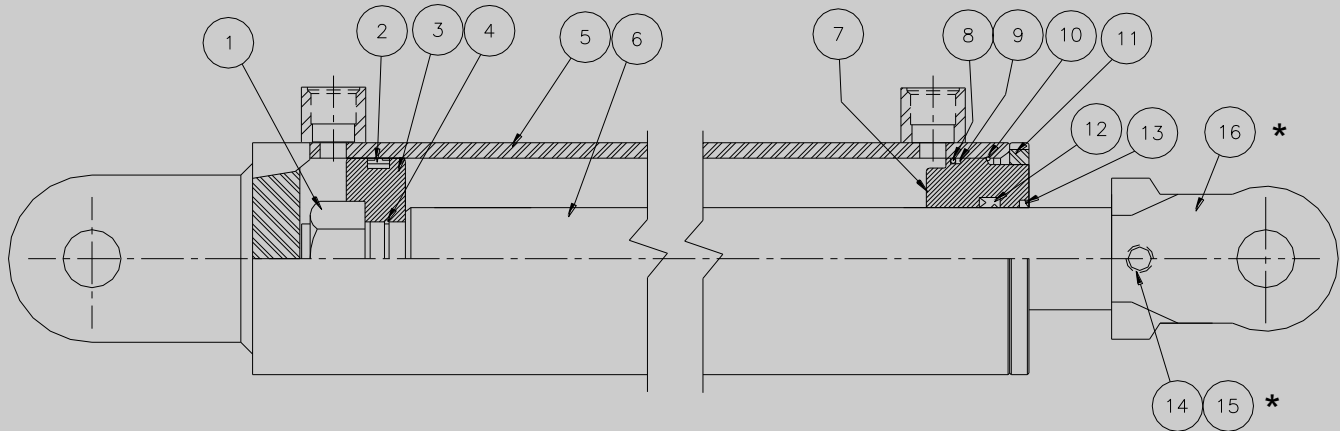
ITEM	PMF PART NO	KMC PART NO	DESCRIPTION	QTY
1	-	07-061-045	LOCKNUT, 1 1/8-12 G"C"	1
2	-	33-056-039	PSP PISTON SEAL, 3.5B	1
3	-	07-061-047	ORING, 1.00 X 1.125	1
4	-	07-061-046	PISTON, 3.5 DIA	1
5	-	61-061-007	CYL BODY, 3.5	1
6	-	61-061-008	ROD CYL 1.5 X 18.625	1
7	-	61-061-009	GUIDE 3.5 - 1.5	1
8	-	33-056-023	ORING NT, 3.25 X 3.50	1
9	-	33-061-055	BACKUP RING 3.25 X 3.50	1
10	-	48-061-011	RET RING RD INT, 3.5	1
11	-	48-061-013	SPANNER NUT, .375 X 4.00	1
12	-	61-061-005	UCUP LIP 1.50 X 1.875 X .312	1
13	-	23-061-038	WIPER RING, 1.5	1
14	-	33-061-036	BALL NYLON, .25 G2	1
15	-	54-020010	SETSCREW, 3/8-16 X .375	1
16	-	16-061-048	ROD CLEVIS, 1.5-12	1
17	-	61-061-006	SEAL KIT, 3.5 X 12 CYINDER	-

3 1/2 X 12 HYDRAULIC CYLINDER (BAILEY)
 (61-061-023) (Tail Hydraulic Cylinder)
 (Used on Machines From 2014 to Present)

Bailey's Hydraulic Cylinder (61-061-023) will replace Energy's Hydraulic Cylinder (61-061-015).
 Bailey will not sale any repair parts except for a Seal Kit.

USE SEAL KIT # 61-061-024

WING HYDRAULIC CYLINDER (4" BORE X 30" STROKE)
 (PMF # 31-10517-04) (KMC # 61-061-014)
 (PRIOR TO 2014)



ITEM	PMF PART NO	KMC PART NO	DESCRIPTION	QTY
1	-	23-061-004	NUT LOCK, T 1/4-12 G" C"	1
2	-	21-061-074	PSP PISTON SEAL, 4" B	1
3	-	59-061-008	PISTON, 4"	1
4	-	16-061-042	O-RING, 1.125 X 1.250	1
5	-	61-061-012	CYL BODY, 4.00 ID	1
6	-	61-061-013	ROD CP 2 X 35.375	1
7	-	59-061-011	GUIDE, 4 OD - 2 ID	1
8	-	21-061-065	ORING, 3.75 X 4.00	1
9	-	21-061-068	BACKUP RING, 3.75 X 4.00	1
10	-	48-061-022	RET RING RD INT, 4	1
11	-	48-061-023	SPANNER NUT, .375 X 4.5	1
12	-	59-061-012	U-CUP LIP 2 X 2.375 X .312	1
13	-	16-061-045	WIPER RING, 2	1
*14	-	54-020010	SETSCREW, 3/8-16 X .375	1
*15	-	33-061-036	BALL NYLON, .250	1
*16	-	08-061-019	ROD CLEVIS, 1.25 -12 UNF	1
17	-	59-061-007	SEAL KIT, 4.00 BORE—2.00 ROD	-

* THESE PARTS NOT INCLUDED IN CYLINDER (61-061-014)

4 X 30 HYDRAULIC CYLINDER (BAILEY)
 (61-061-027) (Wing Hydraulic Cylinder)
 (Used on Machines From 2014 to Present)

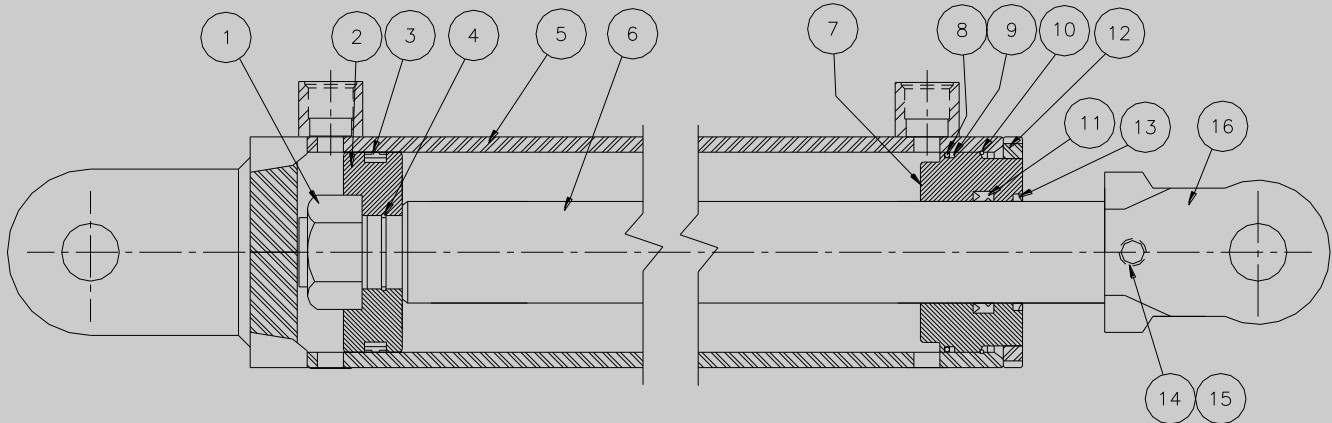
Bailey's Hydraulic Cylinder (61-061-027) will replace Energy's Hydraulic Cylinder (61-061-014).
 Bailey will not sale any repair parts except for a Seal Kit.

USE SEAL KIT # 61-061-028

FLIP-OVER HYDRAULIC CYLINDER (3" BORE X 12" STROKE)

(PMF # 31-10517-03) (KMC # 61-061-011)

(PRIOR TO 2014)



ITEM	PMF PART NO	KMC PART NO	DESCRIPTION	QTY
1	-	33-061-056	LOCKNUT, 1-14 G"C"	1
2	-	08-061-014	PISTON, 3"B	1
3	-	08-061-004	PSP PISTON SEAL, 3B	1
4	-	33-056-021	ORING, .875 X 1.0	1
5	-	61-061-002	CYL BODY, 3.00	1
6	-	61-061-003	ROD CP 1.5 X 18	1
7	-	61-061-004	GUIDE, 3B - 1.5 ID	1
8	-	42-061-182	ORING NT, 2.812 X 3.00	1
9	-	42-061-183	BACKUP RING 2.812 X 3.00	1
10	-	42-061-184	RET RING RD INT, 3.000	1
11	-	61-061-005	UCUP LIP, 1.5 X 1.875 X .312	1
12	-	42-061-185	SPANNER NUT, .375 X 3.437	1
13	-	23-061-038	WIPER RING, 1.5	1
14	-	33-061-036	BALL NYLON, .250 G2	1
15	-	54-020010	SETSCREW, 3/8-16 X .375	1
16	-	16-061-048	ROD CLEVIS 1.5-12	1
17	-	61-061-001	SEAL KIT, 3.00 - 1.50	-

4 X 30 HYDRAULIC CYLINDER (BAILEY)

(61-061-025) (Flip-Over Hydraulic Cylinder)

(Used on Machines From 2014 to Present)

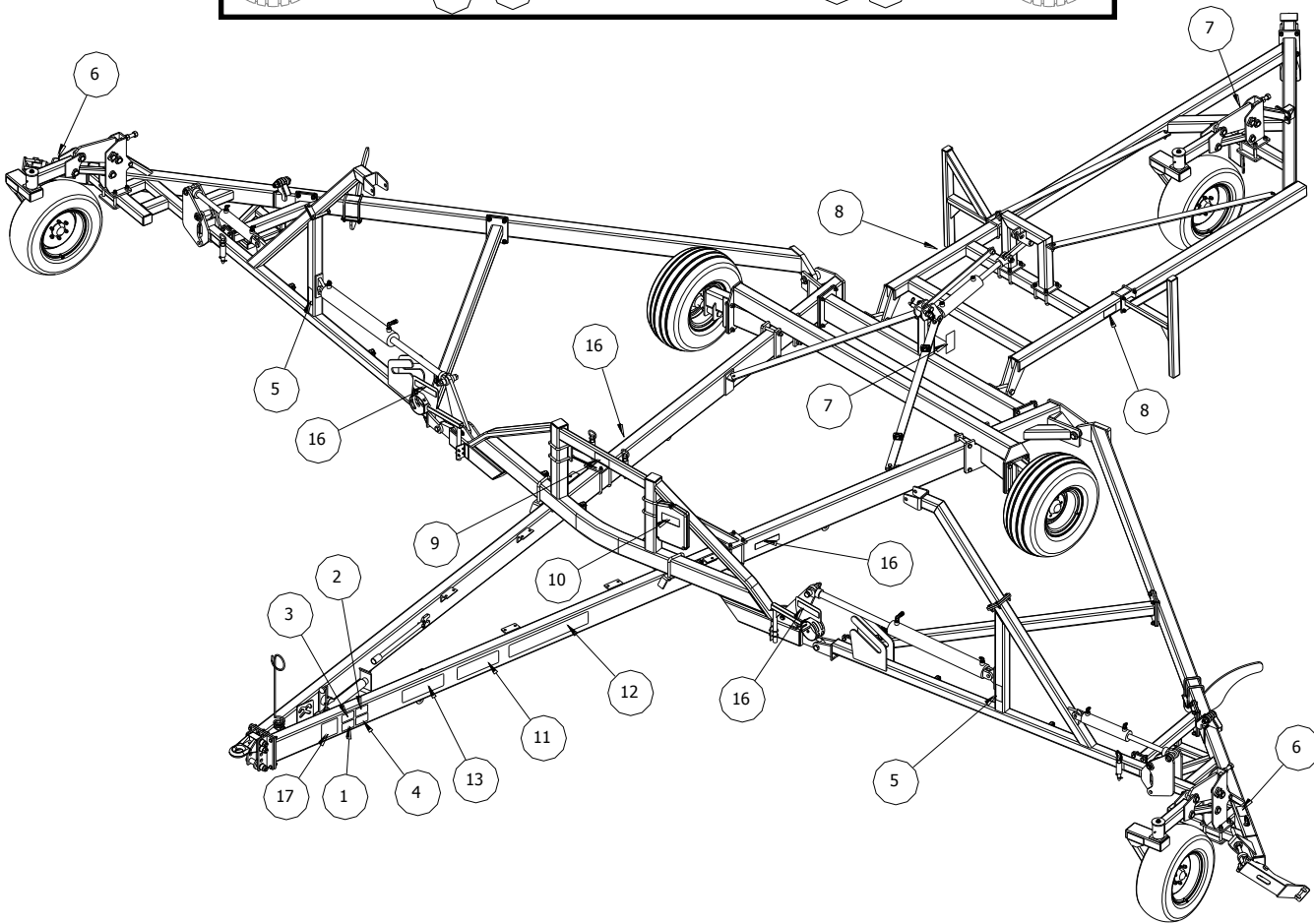
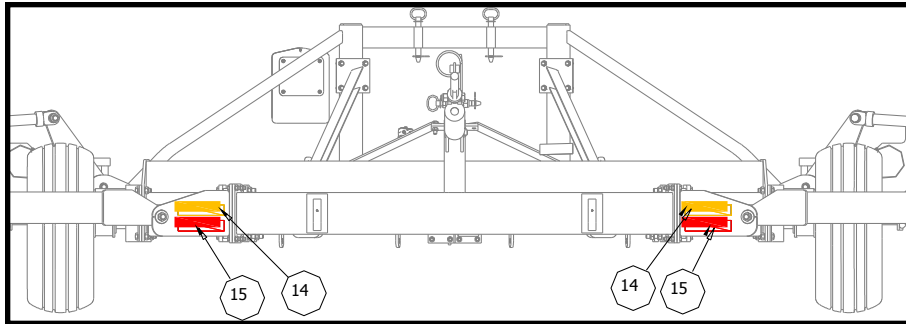
Bailey's Hydraulic Cylinder (61-061-025) will replace Energy's Hydraulic Cylinder (61-061-011).
Bailey will not sale any repair parts except for a Seal Kit.

USE SEAL KIT # 61-061-026

BLANK
PAGE

MISCELLANEOUS COMPONENTS

DECAL SCHEMATIC

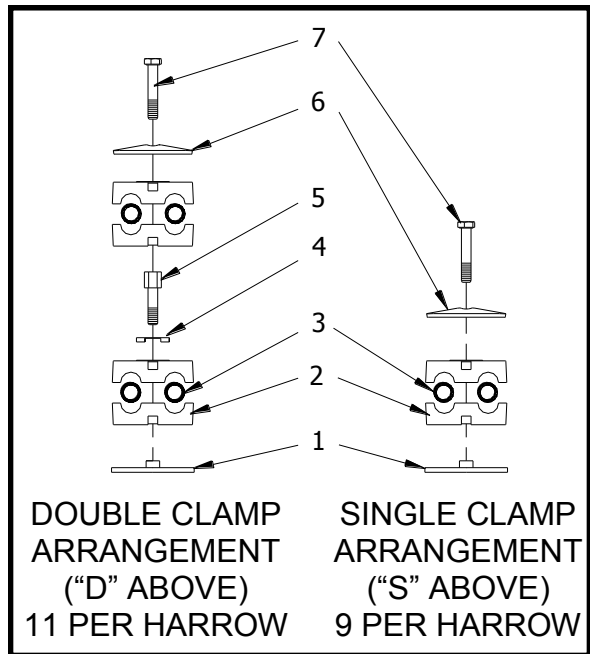
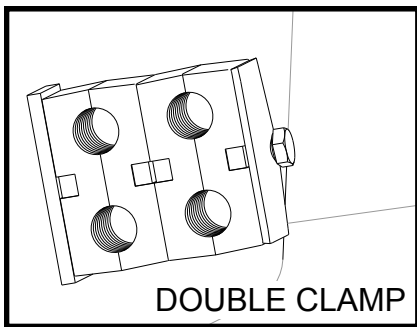
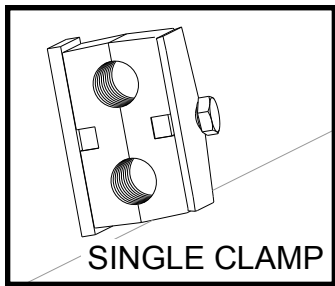
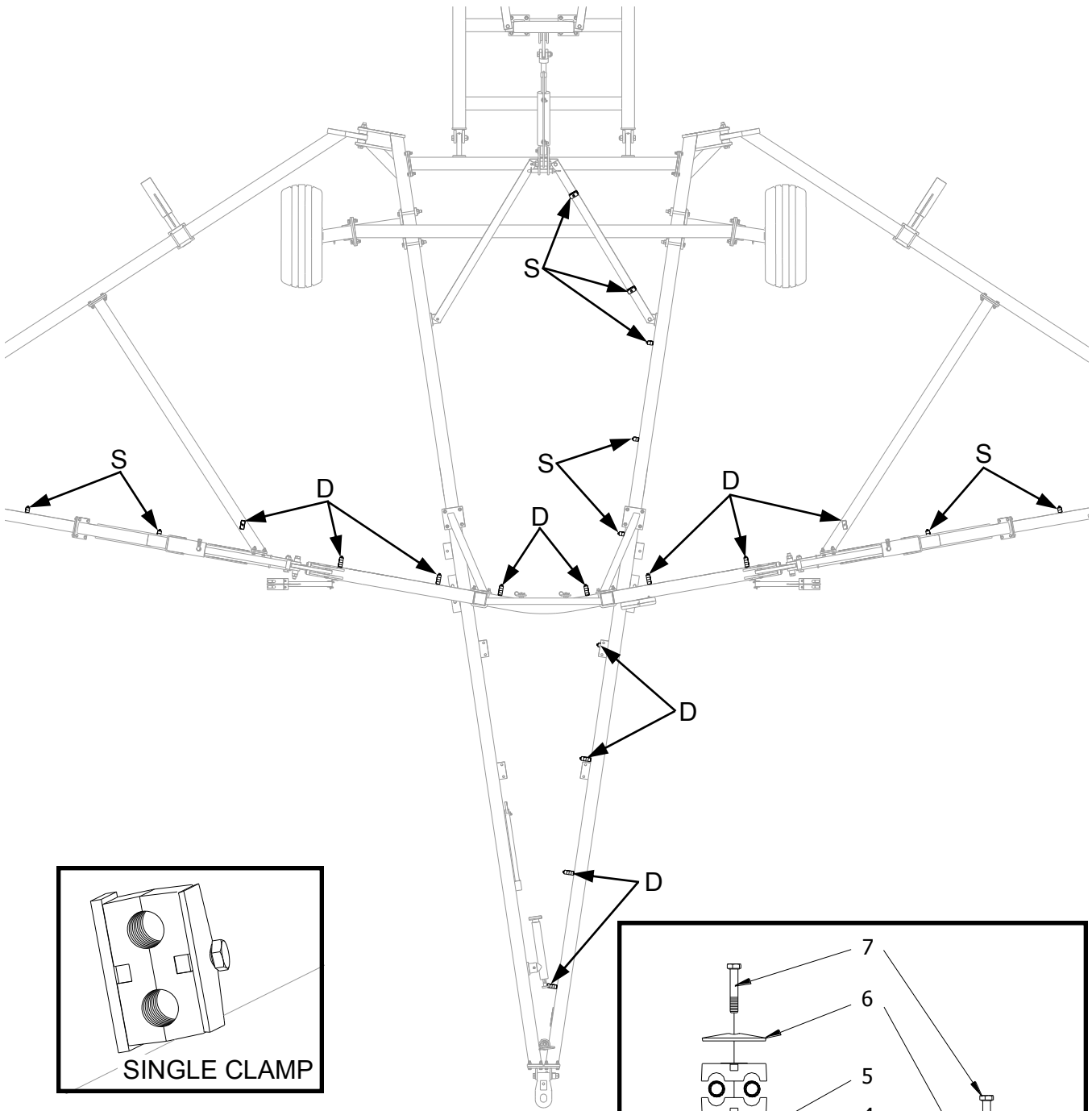


ITEM	PMF PART NO	KMC PART NO	DESCRIPTION	QTY
1	31-11130-03	-	DECAL, READ MANUAL ASAE	1
2	31-11130-09	-	DECAL, ESCAPING FLUIDS HAZARD	1
3	31-11130-10	61-050-050	DECAL, ELECTROCUTION HAZARD	1
4	31-11130-17	61-050-051	DECAL, DO NOT RAISE IN MOTION	1
5	31-11130-01	61-050-043	DECAL, FALLING WING HAZARD	2
6	31-11130-08	61-050-049	DECAL, ATTENTION TOOL TENSION	2

45' ROTARY HARROW

ITEM	PMF PART NO	KMC PART NO	DESCRIPTION	QTY
7	31-11130-05	61-050-046	DECAL, TAIL TRANSPORT LOCK	2
8	31-11130-02	61-050-044	DECAL, FALLING TAIL HAZARD	2
9	31-11130-04	61-050-045	DECAL, ATTENTION TRANSPORT LOCK	1
10	31-11148-00	61-050-052	DECAL, READ MANUAL INSTRUCTIONS	1
11	-	61-050-001	DECAL, 4505	2
12	31-11106-01	61-050-040	DECAL, PHILLIPS HARROW DECAL	2
13	-	16-050-035	DECAL, KMC 4 X 14	2
14	31-11129-01	-	DECAL, ORANGE VISIBILITY	2
15	31-11111-01	-	DECAL, RED REFLECTIVE	2
16	31-11110-01	-	DECAL, YELLOW REFLECTIVE	4
17	31-11130-07	61-050-048	DECAL, CORRECT HYD. ACTIVATION	1
18	-	61-050-008	DECAL, 45' TIRE PRESSURE	1

HOSE CLAMP SCHEMATIC



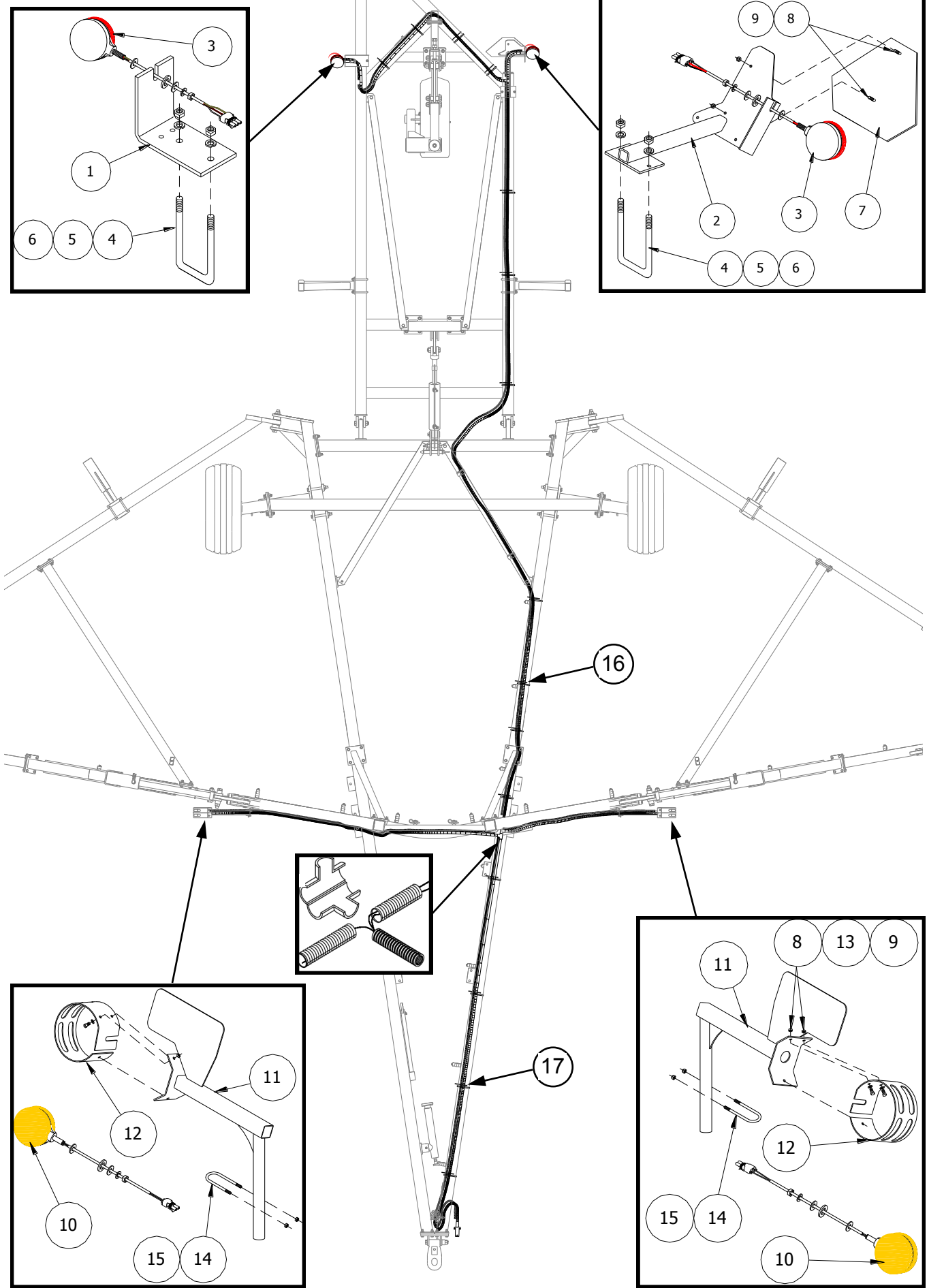
SINGLE HOSE CLAMP ASSEMBLY

ITEM	PMF PART NO	KMC PART NO	DESCRIPTION	QTY
1	30-90550-06	-	HYCON HOSE CLAMP WELD PLATE	1
2	30-90550-03	-	HYCON PLASTIC INSERT PAIR	1
3	N/A	-	HOSE LOCATION	-
6	30-90550-07	-	HYCON TOP PLATE	1
7	31-50131-08	-	BOLT, 5/16 X 1 3/4	1

DOUBLE HOSE CLAMP ASSEMBLY

ITEM	PMF PART NO	KMC PART NO	DESCRIPTION	QTY
1	30-90550-06	-	HYCON HOSE CLAMP WELD PLATE	1
2	30-90550-03	-	HYCON PLASTIC INSERT PAIR	2
3	N/A	-	HOSE LOCATION	-
4	30-90550-05	-	HYCON SAFETY PLATE	1
5	30-90550-04	-	HYCON STACKING BOLT	1
6	30-90550-07	-	HYCON TOP PLATE	1
7	31-50131-08	-	BOLT, 5/16 X 1 3/4	1

45' ROTARY HARROW



45' ROTARY HARROW

LIGHTING SCHEMATIC

ITEM	PMF PART NO	KMC PART NO	DESCRIPTION	QTY
1	30-90376-40	61-027-085	RIGHT TAIL MOUNT	1
2	05-51066-01	61-080-064	TAIL LIGHT SMV SIGN	1
3	05-51064-01	-	RED TAIL LIGHT ASSEMBLY	2
4	31-10946-21	20-080-008	U-BOLT, 3/8 X 4 3/4 X 4 7/16	4
5	31-50338-01	66-010150	LOCKWASHER, 3/8 PLT	8
6	31-50238-01	68-010150	HEX NUT, 3/8 PLT	8
7	31-11400-01	03-050-068	EMBLEM, S.M.V.	1
8	-	48-110000	CAPSCREW, 1/4 X 3/4 G8 PLT	8
9	-	72-010055	LOCKNUT, 1/4 NYLON INSERT	8
10	07-10058-00	-	LAMP AND WIRE ASSY	2
11	05-51072-01	61-080-067	EXTREME LIGHT BRACKET, HARROW	2
12	07-10068-00	61-027-089	EXTREMITY LIGHT SHIELD	2
13	-	62-010010	FLATWASHER,	6
14	31-10945-02	61-050-025	U-BOLT, 5-16 X 1.69 X 2.19	4
15	31-50231-02	72-010025	LOCKNUT, 5/16 STOVER G"B"	8
16	05-51065-02	-	WIRING HARNESS ASSY, 4305A	1
17	31-10958-02	02-050-088	HD TIE WRAP 21 15/32" BLACK	20

BLANK
PAGE

The following is a list of serial numbers issued to our machines at the beginning of each year. To determine when a unit was made, find the range within which the particular serial number falls. It would have been produced between January 1 to December 31 of that year.

YEAR	SERIAL NUMBERS
2007	76369-77883
2008	77884-79891
2009	79892-80944
2010	80945-81775
2011	81776-83453
2012	83454-85092
2013	85093-86418
2014	86419-87790
2015	87791-89096
2016	89097-



DEPENDABLE EQUIPMENT FOR PROGRESSIVE FARMING

Visit us at www.kelleymfg.com



KELLEY MANUFACTURING CO.

80 Vernon Drive / Zip 31794
P.O. Drawer 1467 / Zip 31793
Tifton, GA



MADE IN AMERICA

Tel: 229-382-9393
Toll Free: 1-800-444-5449
Fax: 229-382-5259

Email Address: info@kelleymfg.com